

Алматы (7273)495-231
 Ангарск (3955)60-70-56
 Архангельск (8182)63-90-72
 Астрахань (8512)99-46-04
 Барнаул (3852)73-04-60
 Белгород (4722)40-23-64
 Благовещенск (4162)22-76-07
 Брянск (4832)59-03-52
 Владивосток (423)249-28-31
 Владикавказ (8672)28-90-48
 Владимир (4922)49-43-18
 Волгоград (844)278-03-48
 Вологда (8172)26-41-59
 Воронеж (473)204-51-73
 Екатеринбург (343)384-55-89

Иваново (4932)77-34-06
 Ижевск (3412)26-03-58
 Иркутск (395)279-98-46
 Казань (843)206-01-48
 Калининград (4012)72-03-81
 Калуга (4842)92-23-67
 Кемерово (3842)65-04-62
 Киров (8332)68-02-04
 Коломна (4966)23-41-49
 Кострома (4942)77-07-48
 Краснодар (861)203-40-90
 Красноярск (391)204-63-61
 Курск (4712)77-13-04
 Курган (3522)50-90-47
 Липецк (4742)52-20-81

Магнитогорск (3519)55-03-13
 Москва (495)268-04-70
 Мурманск (8152)59-64-93
 Набережные Челны (8552)20-53-41
 Нижний Новгород (831)429-08-12
 Новокузнецк (3843)20-46-81
 Ноябрьск (3496)41-32-12
 Новосибирск (383)227-86-73
 Омск (3812)21-46-40
 Орел (4862)44-53-42
 Оренбург (3532)37-68-04
 Пенза (8412)22-31-16
 Петрозаводск (8142)55-98-37
 Псков (8112)59-10-37
 Пермь (342)205-81-47

Ростов-на-Дону (863)308-18-15
 Рязань (4912)46-61-64
 Самара (846)206-03-16
 Санкт-Петербург (812)309-46-40
 Саратов (845)249-38-78
 Севастополь (8692)22-31-93
 Саранск (8342)22-96-24
 Симферополь (3652)67-13-56
 Смоленск (4812)29-41-54
 Сочи (862)225-72-31
 Ставрополь (8652)20-65-13
 Сургут (3462)77-98-35
 Сыктывкар (8212)25-95-17
 Тамбов (4752)50-40-97
 Тверь (4822)63-31-35

Тольятти (8482)63-91-07
 Томск (3822)98-41-53
 Тула (4872)33-79-87
 Тюмень (3452)66-21-18
 Ульяновск (8422)24-23-59
 Улан-Удэ (3012)59-97-51
 Уфа (347)229-48-12
 Хабаровск (4212)92-98-04
 Чебоксары (8352)28-53-07
 Челябинск (351)202-03-61
 Череповец (8202)49-02-64
 Чита (3022)38-34-83
 Якутск (4112)23-90-97
 Ярославль (4852)69-52-93

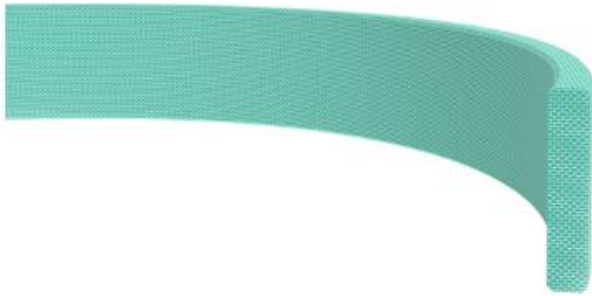
Россия +7(495)268-04-70

Казахстан +7(7172)727-132

Киргизия +996(312)96-26-47

<https://kastas.nt-rt.ru/> || ksi@nt-rt.ru

K73 - PISTON-ROD GUIDE RING



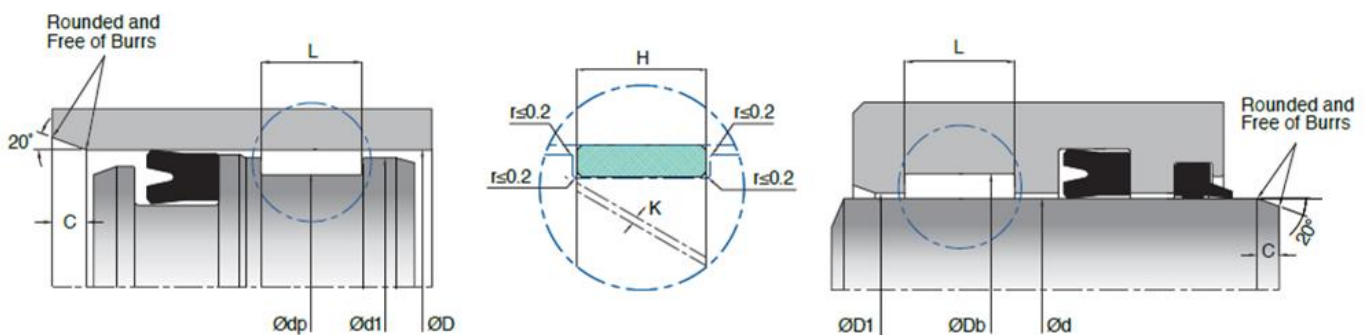
K73 piston-rod guide rings are composite guiding elements, produced from syntetic fabric and polyester resin which provides high load carrying capacity designed to be used in rod and piston applications in hydraulic systems.

Advantages

- Low coefficient of friction
- High Load bearing capacity
- The high form stability at operating temperature range
- Low swelling
- Wide range of dimensions

Area of Application

- Mobile machinery
- Mining industry
- Excavators
- Marine hydraulics
- Presses
- Heavy duty cylinders
- Standard industrial cylinders



	d(f8) dp(h8)	Db(H8) D(H9)	L (+0.2/- 0)	H	d1 (h9)	D1 (H9)	MATERIAL	Kastaş CODE
K73-020/2	20	24	9.7	9.5	23	21	PR6501	20000538
K73-021	21	25	9.5	9.3	24	22	PR6501	20000539
K73-022/1	22	25	5.6	5.4	24	23	PR6501	20000543
K73-025/1	25	28	5.6	5.4	27	26	PR6501	20000545
K73-025/4	25	30	5.6	5.4	28.2	26.8	PR6501	20000548
K73-025/5	25	30	9.7	9.5	28.2	26.8	PR6501	20000549
K73-026	26	32	5.6	5.4	29.6	28.4	PR6501	20000550
K73-028/2	28	33	5.6	5.4	31.2	29.8	PR6501	20000554
K73-028/3	28	32	9.7	9.5	31	29	PR6501	20000555
K73-028/4	28	32	5.6	5.4	31	29	PR6501	20000556
K73-030	30	35	9.7	9.5	33.2	31.8	PR6501	20000559
K73-030/2	30	35	5.6	5.4	33.2	31.8	PR6501	20000561
K73-032/1	32	37	9.7	9.5	35.2	33.8	PR6501	20000564
K73-032/2	32	36	9.7	9.5	35	33	PR6501	20000565
K73-035	35	40	15	14.8	38.2	36.8	PR6501	20000566
K73-035/1	35	40	9.7	9.5	38.2	36.8	PR6501	20000567
K73-035/2	35	40	5.6	5.4	38.2	36.8	PR6501	20000568
K73-036	36	40	10	9.8	39	37	PR6501	20000570
K73-036/1	36	39	5.6	5.4	38	37	PR6501	20000571
K73-036/2	36	40	9.7	9.5	39	37	PR6501	20000572
K73-036/3	36	41	5.6	5.4	39.2	37.8	PR6501	20000573
K73-036/4	36	41	9.7	9.5	39.2	37.8	PR6501	20000574
K73-040/1	40	45	9.7	9.5	43.2	41.8	PR6501	20000576
K73-040/2	40	45	15	14.8	43.2	41.8	PR6501	20000577
K73-040/3	40	43	5.6	5.4	42	41	PR6501	20000578
K73-040/5	40	45	5.6	5.4	43.2	41.8	PR6501	20000580
K73-040/6	40	45	10	9.8	43.2	41.8	PR6501	20000581
K73-045	45	50	9.7	9.5	48.2	46.8	PR6501	20000582
K73-045/1	45	50	15	14.8	48.2	46.8	PR6501	20000583
K73-045/2	45	50	5.6	5.4	48.2	46.8	PR6501	20000584
K73-045/5	45	50	20	19.8	48.2	46.8	PR6501	20000587
K73-048	48	53	9.7	9.5	51.2	49.8	PR6501	20000588
K73-048/1	48	53	15	14.8	51.2	49.8	PR6501	20000589
K73-050	50	55	9.7	9.5	53.2	51.8	PR6501	20000590
K73-050/1	50	55	15	14.8	53.2	51.8	PR6501	20000591
K73-050/2	50	54	10	9.8	53	51	PR6501	20000592
K73-050/3	50	55	5.6	5.4	53.2	51.8	PR6501	20000593
K73-050/7	50	55	20	19.8	53.2	51.8	PR6501	20000597
K73-054	54	60	15	14.8	57.6	56.4	PR6501	20000598

	d(f8) dp(h8)	Db(H8) D(H9)	L (+0.2/- 0)	H	d1 (h9)	D1 (H9)	MATERIAL	Kastaş CODE
K73-055	55	60	15	14.8	58.2	56.8	PR6501	20000599
K73-055/1	55	60	9.7	9.5	58.2	56.8	PR6501	20000600
K73-055/3	55	60	5.6	5.4	58.2	56.8	PR6501	20000602
K73-056/2	56	62	20	19.8	59.6	58.4	PR6501	20000605
K73-056/3	56	61	9.7	9.5	59.2	57.8	PR6501	20000606
K73-056/4	56	61	15	14.8	59.2	57.8	PR6501	20000607
K73-058	58	63	9.7	9.5	61.2	59.8	PR6501	20000608
K73-058/1	58	63	5.6	5.4	61.2	59.8	PR6501	20000609
K73-058/2	58	63	15	14.8	61.2	59.8	PR6501	20000610
K73-058/3	58	63	20	19.8	61.2	59.8	PR6501	20000611
K73-060	60	65	15	14.8	63.2	61.8	PR6501	20000614
K73-060/1	60	65	9.7	9.5	63.2	61.8	PR6501	20000615
K73-060/2	60	65	20	19.8	63.2	61.8	PR6501	20000616
K73-060/3	60	65	25	24.5	63.2	61.8	PR6501	20000617
K73-060/5	60	66	30	29.5	63.6	62.4	PR6501	20000619
K73-060/6	60	65	5.6	5.4	63.2	61.8	PR6501	20000620
K73-063	63	68	9.7	9.5	66.2	64.8	PR6501	20000621
K73-063/1	63	68	15	14.8	66.2	64.8	PR6501	20000624
K73-063/3	63	68	20	19.8	66.2	64.8	PR6501	20000626
K73-065	65	70	15	14.8	68.2	66.8	PR6501	20000627
K73-065/1	65	70	9.7	9.5	68.2	66.8	PR6501	20000628
K73-065/2	65	70	5.6	5.4	68.2	66.8	PR6501	20000629
K73-070	70	75	9.7	9.5	73.2	71.8	PR6501	20000631
K73-070/1	70	75	15	14.8	73.2	71.8	PR6501	20000632
K73-070/2	70	75	25	24.5	73.2	71.8	PR6501	20000633
K73-070/3	70	75	5.6	5.4	73.2	71.8	PR6501	20000634
K73-070/4	70	75	20	19.8	73.2	71.8	PR6501	20000635
K73-070/5	70	75	10	9.8	73.2	71.8	PR6501	20000636
K73-071	71	75	15	14.8	74	72	PR6501	20000637
K73-072/1	72	80	9.7	9.5	77	75	PR6501	20000639
K73-072	72	80	15	14.8	77	75	PR6501	20000638
K73-074	74	80	6.5	6.3	77.6	76.4	PR6501	20000640
K73-075	75	80	9.7	9.5	78.2	76.8	PR6501	20000641
K73-075/1	75	80	15	14.8	78.2	76.8	PR6501	20000642
K73-075/2	75	80	5.6	5.4	78.2	76.8	PR6501	20000643
K73-075/3	75	80	25	24.5	78.2	76.8	PR6501	20000644
K73-078	78	83	15	14.8	81.2	79.8	PR6501	20000646
K73-080	80	85	9.7	9.5	83.2	81.8	PR6501	20000647
K73-080/1	80	85	15	14.8	83.2	81.8	PR6501	20000648

	d(f8) dp(h8)	Db(H8) D(H9)	L (+0.2/- 0)	H	d1 (h9)	D1 (H9)	MATERIAL	Kastaş CODE
K73-080/3	80	85	25	24.5	83.2	81.8	PR6501	20000651
K73-080/6	80	85	30	29.5	83.2	81.8	PR6501	20000654
K73-080/7	80	85	20	19.8	83.2	81.8	PR6501	20000655
K73-080/8	80	88	15	14.8	85	83	PR6501	20000656
K73-080/9	80	88	9.7	9.5	85	83	PR6501	20000657
K73-080/10	80	88	20	19.8	85	83	PR6501	20000649
K73-084	84	90	6.5	6.3	87.6	86.4	PR6501	20000658
K73-085	85	90	9.7	9.5	88.2	86.8	PR6501	20000659
K73-085/1	85	90	15	14.8	88.2	86.8	PR6501	20000660
K73-085/2	85	90	5.6	5.4	88.2	86.8	PR6501	20000661
K73-085/3	85	90	20	19.8	88.2	86.8	PR6501	20000662
K73-085/4	85	90	30	29.5	88.2	86.8	PR6501	20000663
K73-086	86	90	30	29.5	89	87	PR6501	20000664
K73-090	90	95	15	14.8	93.2	91.8	PR6501	20000665
K73-090/1	90	95	9.7	9.5	93.2	91.8	PR6501	20000666
K73-090/3	90	95	25	24.5	93.2	91.8	PR6501	20000668
K73-090/4	90	98	15	14.8	95	93	PR6501	20000669
K73-090/5	90	98	9.7	9.5	95	93	PR6501	20000670
K73-094	94	100	6.5	6.3	97.6	96.4	PR6501	20000671
K73-095	95	100	9.7	9.5	98.2	96.8	PR6501	20000672
K73-095/1	95	100	15	14.8	98.2	96.8	PR6501	20000673
K73-095/2	95	100	5.6	5.4	98.2	96.8	PR6501	20000674
K73-095/3	95	100	20	19.8	98.2	96.8	PR6501	20000675
K73-095/4	95	100	25	24.5	98.2	96.8	PR6501	20000676
K73-100	100	105	15	14.8	103.2	101.8	PR6501	20000678
K73-100/1	100	105	9.7	9.5	103.2	101.8	PR6501	20000679
K73-100/2	100	105	25	24.5	103.2	101.8	PR6501	20000680
K73-100/3	100	105	20	19.8	103.2	101.8	PR6501	20000681
K73-100/4	100	108	15	14.8	105	103	PR6501	20000682
K73-100/5	100	108	9.7	9.5	105	103	PR6501	20000683
K73-104	104	110	15	14.8	107.6	106.4	PR6501	20000684
K73-105	105	110	9.7	9.5	108.2	106.8	PR6501	20000685
K73-105/1	105	110	15	14.8	108.2	106.8	PR6501	20000686
K73-105/2	105	110	5.6	5.4	108.2	106.8	PR6501	20000687
K73-105/3	105	110	25	24.5	108.2	106.8	PR6501	20000688
K73-105/4	105	110	20	19.8	108.2	106.8	PR6501	20000689
K73-109	109	115	6.5	6.3	112.6	111.4	PR6501	20000690
K73-110	110	115	9.7	9.5	113.2	111.8	PR6501	20000691
K73-110/1	110	115	15	14.8	113.2	111.8	PR6501	20000692

	d(f8) dp(h8)	Db(H8) D(H9)	L (+0.2/- 0)	H	d1 (h9)	D1 (H9)	MATERIAL	Kastaş CODE
K73-110/2	110	115	25	24.5	113.2	111.8	PR6501	20000693
K73-110/4	110	118	15	14.8	115	113	PR6501	20000695
K73-110/5	110	118	9.7	9.5	115	113	PR6501	20000696
K73-112	112	117	15	14.8	115.2	113.8	PR6501	20000697
K73-112/1	112	117	20	19.8	115.2	113.8	PR6501	20000698
K73-113	113	118	15	14.8	116.2	114.8	PR6501	20000699
K73-115	115	120	9.7	9.5	118.2	116.8	PR6501	20000700
K73-115/1	115	120	15	14.8	118.2	116.8	PR6501	20000701
K73-115/2	115	120	25	24.5	118.2	116.8	PR6501	20000702
K73-115/3	115	120	20	19.8	118.2	116.8	PR6501	20000703
K73-115/4	115	120	30	29.5	118.2	116.8	PR6501	20000704
K73-117	117	125	15	14.8	122	120	PR6501	20000705
K73-117/1	117	125	25	24.5	122	120	PR6501	20000706
K73-117/2	117	125	9.7	9.5	122	120	PR6501	20000707
K73-120	120	125	9.7	9.5	123.2	121.8	PR6501	20000708
K73-120/1	120	125	15	14.8	123.2	121.8	PR6501	20000709
K73-120/2	120	125	25	24.5	123.2	121.8	PR6501	20000710
K73-120/3	120	125	35	34.5	123.2	121.8	PR6501	20000711
K73-120/5	120	125	5.6	5.4	123.2	121.8	PR6501	20000713
K73-120/6	120	125	20	19.8	123.2	121.8	PR6501	20000714
K73-120/7	120	126	20	19.8	123.6	122.4	PR6501	20000715
K73-122	122	130	15	14.8	127	125	PR6501	20000716
K73-122/1	122	130	25	24.5	127	125	PR6501	20000717
K73-124	124	132	25	24.5	129	127	PR6501	20000718
K73-125	125	130	9.7	9.5	128.2	126.8	PR6501	20000719
K73-125/1	125	130	15	14.8	128.2	126.8	PR6501	20000720
K73-125/2	125	133	9.7	9.5	130	128	PR6501	20000721
K73-125/3	125	130	25	24.5	128.2	126.8	PR6501	20000722
K73-125/5	125	133	15	14.8	130	128	PR6501	20000724
K73-125/6	125	130	5.6	5.4	128.2	126.8	PR6501	20000725
K73-130	130	135	9.7	9.5	133.2	131.8	PR6501	20000726
K73-130/1	130	135	15	14.8	133.2	131.8	PR6501	20000727
K73-130/2	130	135	25	24.5	133.2	131.8	PR6501	20000728
K73-130/3	130	135	20	19.8	133.2	131.8	PR6501	20000729
K73-130/4	130	138	25	24.5	135	133	PR6501	20000730
K73-132	132	140	15	14.8	137	135	PR6501	20000731
K73-132/1	132	140	9.7	9.5	137	135	PR6501	20000732
K73-135	135	140	9.7	9.5	138.2	136.8	PR6501	20000733
K73-135/1	135	140	15	14.8	138.2	136.8	PR6501	20000734

	d(f8) dp(h8)	Db(H8) D(H9)	L (+0.2/- 0)	H	d1 (h9)	D1 (H9)	MATERIAL	Kastaş CODE
K73-135/2	135	140	20	19.8	138.2	136.8	PR6501	20000735
K73-135/3	135	140	25	24.5	138.2	136.8	PR6501	20000736
K73-135/4	135	140	10	9.8	138.2	136.8	PR6501	20000737
K73-135/5	135	140	5.6	5.4	138.2	136.8	PR6501	20000738
K73-135/6	135	140	30	29.5	138.2	136.8	PR6501	20000739
K73-136	136	140	20	19.8	139	137	PR6501	20000740
K73-140	140	145	9.7	9.5	143.2	141.8	PR6501	20000741
K73-140/1	140	145	15	14.8	143.2	141.8	PR6501	20000742
K73-140/2	140	148	15	14.8	145	143	PR6501	20000743
K73-140/3	140	145	25	24.5	143.2	141.8	PR6501	20000744
K73-140/5	140	145	20	19.8	143.2	141.8	PR6501	20000746
K73-140/6	140	145	30	29.5	143.2	141.8	PR6501	20000747
K73-142	142	147	15	14.8	145.2	143.8	PR6501	20000748
K73-144	144	150	20	19.8	147.6	146.4	PR6501	20000749
K73-145	145	150	9.7	9.5	148.2	146.8	PR6501	20000750
K73-145/1	145	150	15	14.8	148.2	146.8	PR6501	20000751
K73-150	150	155	15	14.8	153.2	151.8	PR6501	20000753
K73-150/1	150	155	9.7	9.5	153.2	151.8	PR6501	20000754
K73-150/3	150	155	20	19.8	153.2	151.8	PR6501	20000756
K73-150/4	150	155	25	24.5	153.2	151.8	PR6501	20000757
K73-152	152	160	15	14.8	157	155	PR6501	20000758
K73-152/1	152	160	25	24.5	157	155	PR6501	20000759
K73-155	155	160	9.7	9.5	158.2	156.8	PR6501	20000760
K73-155/1	155	160	15	14.8	158.2	156.8	PR6501	20000761
K73-155/2	155	160	25	24.5	158.2	156.8	PR6501	20000762
K73-155/3	155	160	20	19.8	158.2	156.8	PR6501	20000763
K73-160	160	168	25	24.5	165	163	PR6501	20000764
K73-160/1	160	165	15	14.8	163.2	161.8	PR6501	20000765
K73-160/2	160	165	9.7	9.5	163.2	161.8	PR6501	20000766
K73-160/3	160	165	20	19.8	163.2	161.8	PR6501	20000767
K73-160/4	160	165	25	24.5	163.2	161.8	PR6501	20000768
K73-164	164	170	9.5	9.3	167.6	166.4	PR6501	20000769
K73-165	165	170	9.7	9.5	168.2	166.8	PR6501	20000770
K73-165/1	165	170	25	24.5	168.2	166.8	PR6501	20000771
K73-165/2	165	170	15	14.8	168.2	166.8	PR6501	20000772
K73-165/3	165	170	30	29.5	168.2	166.8	PR6501	20000773
K73-170	170	175	15	14.8	173.2	171.8	PR6501	20000774
K73-174	174	180	20	19.8	177.6	176.4	PR6501	20000775
K73-175	175	180	9.7	9.5	178.2	176.8	PR6501	20000776

	d(f8) dp(h8)	Db(H8) D(H9)	L (+0.2/- 0)	H	d1 (h9)	D1 (H9)	MATERIAL	Kastaş CODE
K73-175/1	175	180	15	14.8	178.2	176.8	PR6501	20000777
K73-175/2	175	180	25	24.5	178.2	176.8	PR6501	20000778
K73-175/3	175	180	20	19.8	178.2	176.8	PR6501	20000779
K73-178	178	183	15	14.8	181.2	179.8	PR6501	20000780
K73-180	180	185	15	14.8	183.2	181.8	PR6501	20000781
K73-180/1	180	185	20	19.8	183.2	181.8	PR6501	20000782
K73-180/2	180	185	25	24.5	183.2	181.8	PR6501	20000783
K73-180/3	180	185	30	29.5	183.2	181.8	PR6501	20000784
K73-185	185	190	9.7	9.5	188.2	186.8	PR6501	20000785
K73-185/1	185	190	15	14.8	188.2	186.8	PR6501	20000786
K73-185/2	185	191	20	19.8	188.6	187.4	PR6501	20000787
K73-190/1	190	195	25	24.5	193.2	191.8	PR6501	20000789
K73-190/2	190	195	15	14.8	193.2	191.8	PR6501	20000790
K73-190/3	190	196	15	14.8	193.6	192.4	PR6501	20000791
K73-192	192	200	15	14.8	197	195	PR6501	20000792
K73-192/1	192	197	15	14.8	195.2	193.8	PR6501	20000793
K73-194	194	200	20	19.8	197.6	196.4	PR6501	20000794
K73-195	195	200	9.7	9.5	198.2	196.8	PR6501	20000796
K73-195/1	195	200	15	14.8	198.2	196.8	PR6501	20000797
K73-195/2	195	200	20	19.8	198.2	196.8	PR6501	20000798
K73-195/3	195	200	25	24.5	198.2	196.8	PR6501	20000799
K73-199	199	205	20	19.8	202.6	201.4	PR6501	20000800
K73-200	200	205	15	14.8	203.2	201.8	PR6501	20000801
K73-200/1	200	208	15	14.8	205	203	PR6501	20000802
K73-200/2	200	208	25	24.5	205	203	PR6501	20000803
K73-200/3	200	205	25	24.5	203.2	201.8	PR6501	20000804
K73-205	205	210	15	14.8	208.2	206.8	PR6501	20000805
K73-207/1	207	212	15	14.8	210.2	208.8	PR6501	20000807
K73-210	210	215	15	14.8	213.2	211.8	PR6501	20000808
K73-210/1	210	215	25	24.5	213.2	211.8	PR6501	20000809
K73-212	212	220	15	14.8	217	215	PR6501	20000810
K73-212/1	212	220	25	24.5	217	215	PR6501	20000811
K73-212/2	212	217	15	14.8	215.2	213.8	PR6501	20000812
K73-215	215	220	15	14.8	218.2	216.8	PR6501	20000814
K73-215/1	215	220	9.7	9.5	218.2	216.8	PR6501	20000815
K73-215/2	215	220	30	29.5	218.2	216.8	PR6501	20000816
K73-215/3	215	220	25	24.5	218.2	216.8	PR6501	20000817
K73-220	220	225	15	14.8	223.2	221.8	PR6501	20000819
K73-220/1	220	225	25	24.5	223.2	221.8	PR6501	20000820

	d(f8) dp(h8)	Db(H8) D(H9)	L (+0.2/- 0)	H	d1 (h9)	D1 (H9)	MATERIAL	Kastaş CODE
K73-220/2	220	225	20	19.8	223.2	221.8	PR6501	20000821
K73-224	224	230	25	24.5	227.6	226.4	PR6501	20000824
K73-225	225	230	15	14.8	228.2	226.8	PR6501	20000825
K73-225/1	225	230	20	19.8	228.2	226.8	PR6501	20000826
K73-225/2	225	230	25	24.5	228.2	226.8	PR6501	20000827
K73-230	230	235	20	19.8	233.2	231.8	PR6501	20000828
K73-230/1	230	235	15	14.8	233.2	231.8	PR6501	20000829
K73-235	235	240	9.7	9.5	238.2	236.8	PR6501	20000830
K73-235/1	235	240	15	14.8	238.2	236.8	PR6501	20000831
K73-235/2	235	240	20	19.8	238.2	236.8	PR6501	20000832
K73-235/3	235	240	25	24.5	238.2	236.8	PR6501	20000833
K73-240	240	245	15	14.8	243.2	241.8	PR6501	20000834
K73-240/1	240	245	30	29.5	243.2	241.8	PR6501	20000835
K73-242	242	250	25	24.5	247	245	PR6501	20000836
K73-245	245	250	9.7	9.5	248.2	246.8	PR6501	20000837
K73-245/1	245	250	15	14.8	248.2	246.8	PR6501	20000838
K73-245/2	245	250	25	24.5	248.2	246.8	PR6501	20000839
K73-245/3	245	250	20	19.8	248.2	246.8	PR6501	20000840
K73-250	250	255	15	14.8	253.2	251.8	PR6501	20000841
K73-255	255	260	15	14.8	258.2	256.8	PR6501	20000842
K73-258	258	263	15	14.8	261.2	259.8	PR6501	20000843
K73-260	260	265	15	14.8	263.2	261.8	PR6501	20000844
K73-260/1	260	265	25	24.5	263.2	261.8	PR6501	20000845
K73-265	265	270	15	14.8	268.2	266.8	PR6501	20000846
K73-265/1	265	270	9.7	9.5	268.2	266.8	PR6501	20000847
K73-270	270	275	15	14.8	273.2	271.8	PR6501	20000848
K73-274	274	280	20	19.8	277.6	276.4	PR6501	20000849
K73-274/1	274	280	30	29.5	277.6	276.4	PR6501	20000850
K73-275	275	280	9.7	9.5	278.2	276.8	PR6501	20000851
K73-275/1	275	280	15	14.8	278.2	276.8	PR6501	20000852
K73-275/2	275	280	25	24.5	278.2	276.8	PR6501	20000853
K73-275/3	275	280	30	29.5	278.2	276.8	PR6501	20000854
K73-280	280	285	15	14.8	283.2	281.8	PR6501	20000855
K73-280/1	280	285	25	24.5	283.2	281.8	PR6501	20000856
K73-285	285	290	25	24.5	288.2	286.8	PR6501	20000857
K73-285/1	285	290	30	29.5	288.2	286.8	PR6501	20000858
K73-290	290	295	25	24.5	293.2	291.8	PR6501	20000859
K73-295	295	300	15	14.8	298.2	296.8	PR6501	20000860
K73-295/1	295	300	30	29.5	298.2	296.8	PR6501	20000861

	d(f8) dp(h8)	Db(H8) D(H9)	L (+0.2/- 0)	H	d1 (h9)	D1 (H9)	MATERIAL	Kastaş CODE
K73-295/2	295	300	25	24.5	298.2	296.8	PR6501	20000862
K73-305	305	310	15	14.8	308.2	306.8	PR6501	20000864
K73-310	310	315	15	14.8	313.2	311.8	PR6501	20000865
K73-315	315	320	15	14.8	318.2	316.8	PR6501	20000866
K73-315/1	315	320	25	24.5	318.2	316.8	PR6501	20000867
K73-315/2	315	320	30	29.5	318.2	316.8	PR6501	20000868
K73-320	320	325	25	24.5	323.2	321.8	PR6501	20000869
K73-335	335	340	15	14.8	338.2	336.8	PR6501	20000871
K73-340	340	345	25	24.5	343.2	341.8	PR6501	20000874
K73-340/1	340	345	30	29.5	343.2	341.8	PR6501	20000875
K73-345	345	350	25	24.5	348.2	346.8	PR6501	20000876
K73-355	355	360	25	24.5	358.2	356.8	PR6501	20000877
K73-360	360	365	25	24.5	363.2	361.8	PR6501	20000878
K73-370	370	375	25	24.5	373.2	371.8	PR6501	20000879
K73-375	375	380	25	24.5	378.2	376.8	PR6501	20000880
K73-375/1	375	380	15	14.8	378.2	376.8	PR6501	20000881
K73-384	384	390	15	14.8	387.6	386.4	PR6501	20000882
K73-395	395	400	25	24.5	398.2	396.8	PR6501	20000883
K73-430	430	435	25	24.5	433.2	431.8	PR6501	20000885
K73-435	435	440	25	24.5	438.2	436.8	PR6501	20000886
K73-445	445	450	15	14.8	448.2	446.8	PR6501	20000887
K73-445/1	445	450	25	24.5	448.2	446.8	PR6501	20000888
K73-450	450	458	25	24.5	455	453	PR6501	20000889
K73-455	455	460	25	24.5	458.2	456.8	PR6501	20000890
K73-480	480	486	25	24.5	483.6	482.4	PR6501	20000891
K73-494	494	500	25	24.5	497.6	496.4	PR6501	20000892
K73-495	495	500	15	14.8	498.2	496.8	PR6501	20000893
K73-500	500	505	25	24.5	503.2	501.8	PR6501	20000894
K73-512	512	520	25	24.5	517	515	PR6501	20000895
K73-515	515	520	25	24.5	518.2	516.8	PR6501	20000896
K73-570	570	575	25	24.5	573.2	571.8	PR6501	20000899
K73-570/1	570	576	15	14.8	573.6	572.4	PR6501	20000900
K73-595	595	600	25	24.5	598.2	596.8	PR6501	20000901

Алматы (7273)495-231
Ангарск (3955)60-70-56
Архангельск (8182)63-90-72
Астрахань (8512)99-46-04
Барнаул (3852)73-04-60
Белгород (4722)40-23-64
Благовещенск (4162)22-76-07
Брянск (4832)59-03-52
Владивосток (423)249-28-31
Владикавказ (8672)28-90-48
Владимир (4922)49-43-18
Волгоград (844)278-03-48
Вологда (8172)26-41-59
Воронеж (473)204-51-73
Екатеринбург (343)384-55-89

Иваново (4932)77-34-06
Ижевск (3412)26-03-58
Иркутск (395)279-98-46
Казань (843)206-01-48
Калининград (4012)72-03-81
Калуга (4842)92-23-67
Кемерово (3842)65-04-62
Киров (8332)68-02-04
Коломна (4966)23-41-49
Кострома (4942)77-07-48
Краснодар (861)203-40-90
Красноярск (391)204-63-61
Курск (4712)77-13-04
Курган (352)50-90-47
Липецк (4742)52-20-81

Магнитогорск (3519)55-03-13
Москва (495)268-04-70
Мурманск (8152)59-64-93
Набережные Челны (8552)20-53-41
Нижний Новгород (831)429-08-12
Новокузнецк (3843)20-46-81
Ноябрьск (3496)41-32-12
Новосибирск (383)227-86-73
Омск (3812)21-46-40
Орел (4862)44-53-42
Оренбург (3532)37-68-04
Пенза (8412)22-31-16
Петрозаводск (8142)55-98-37
Псков (8112)59-10-37
Пермь (342)205-81-47

Ростов-на-Дону (863)308-18-15
Рязань (4912)46-61-64
Самара (846)206-03-16
Санкт-Петербург (812)309-46-40
Саратов (845)249-38-78
Севастополь (8692)22-31-93
Саранск (8342)22-96-24
Симферополь (3652)67-13-56
Смоленск (4812)29-41-54
Сочи (862)225-72-31
Ставрополь (8652)20-65-13
Сургут (3462)77-98-35
Сыктывкар (8212)25-95-17
Тамбов (4752)50-40-97
Тверь (4822)63-31-35

Тольятти (8482)63-91-07
Томск (3822)98-41-53
Тула (4872)33-79-87
Тюмень (3452)66-21-18
Ульяновск (8422)24-23-59
Улан-Удэ (3012)59-97-51
Уфа (347)229-48-12
Хабаровск (4212)92-98-04
Чебоксары (8352)28-53-07
Челябинск (351)202-03-61
Череповец (8202)49-02-64
Чита (3022)38-34-83
Якутск (4112)23-90-97
Ярославль (4852)69-52-93

Россия +7(495)268-04-70

Казахстан +7(7172)727-132

Киргизия +996(312)96-26-47

<https://kastas.nt-rt.ru/> || ksi@nt-rt.ru