

Алматы (7273)495-231  
 Ангарск (3955)60-70-56  
 Архангельск (8182)63-90-72  
 Астрахань (8512)99-46-04  
 Барнаул (3852)73-04-60  
 Белгород (4722)40-23-64  
 Благовещенск (4162)22-76-07  
 Брянск (4832)59-03-52  
 Владивосток (423)249-28-31  
 Владикавказ (8672)28-90-48  
 Владимир (4922)49-43-18  
 Волгоград (844)278-03-48  
 Вологда (8172)26-41-59  
 Воронеж (473)204-51-73  
 Екатеринбург (343)384-55-89

Иваново (4932)77-34-06  
 Ижевск (3412)26-03-58  
 Иркутск (395)279-98-46  
 Казань (843)206-01-48  
 Калининград (4012)72-03-81  
 Калуга (4842)92-23-67  
 Кемерово (3842)65-04-62  
 Киров (8332)68-02-04  
 Коломна (4966)23-41-49  
 Кострома (4942)77-07-48  
 Краснодар (861)203-40-90  
 Красноярск (391)204-63-61  
 Курск (4712)77-13-04  
 Курган (3522)50-90-47  
 Липецк (4742)52-20-81

Магнитогорск (3519)55-03-13  
 Москва (495)268-04-70  
 Мурманск (8152)59-64-93  
 Набережные Челны (8552)20-53-41  
 Нижний Новгород (831)429-08-12  
 Новокузнецк (3843)20-46-81  
 Ноябрьск (3496)41-32-12  
 Новосибирск (383)227-86-73  
 Омск (3812)21-46-40  
 Орел (4862)44-53-42  
 Оренбург (3532)37-68-04  
 Пенза (8412)22-31-16  
 Петрозаводск (8142)55-98-37  
 Псков (8112)59-10-37  
 Пермь (342)205-81-47

Ростов-на-Дону (863)308-18-15  
 Рязань (4912)46-61-64  
 Самара (846)206-03-16  
 Санкт-Петербург (812)309-46-40  
 Саратов (845)249-38-78  
 Севастополь (8692)22-31-93  
 Саранск (8342)22-96-24  
 Симферополь (3652)67-13-56  
 Смоленск (4812)29-41-54  
 Сочи (862)225-72-31  
 Ставрополь (8652)20-65-13  
 Сургут (3462)77-98-35  
 Сыктывкар (8212)25-95-17  
 Тамбов (4752)50-40-97  
 Тверь (4822)63-31-35

Тольятти (8482)63-91-07  
 Томск (3822)98-41-53  
 Тула (4872)33-79-87  
 Тюмень (3452)66-21-18  
 Ульяновск (8422)24-23-59  
 Улан-Удэ (3012)59-97-51  
 Уфа (347)229-48-12  
 Хабаровск (4212)92-98-04  
 Чебоксары (8352)28-53-07  
 Челябинск (351)202-03-61  
 Череповец (8202)49-02-64  
 Чита (3022)38-34-83  
 Якутск (4112)23-90-97  
 Ярославль (4852)69-52-93

Россия +7(495)268-04-70

Казахстан +7(7172)727-132

Киргизия +996(312)96-26-47

<https://kastas.nt-rt.ru/> || [ksi@nt-rt.ru](mailto:ksi@nt-rt.ru)

## K69 - PISTON GUIDE RING



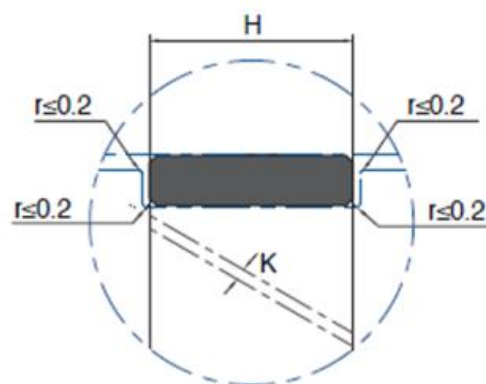
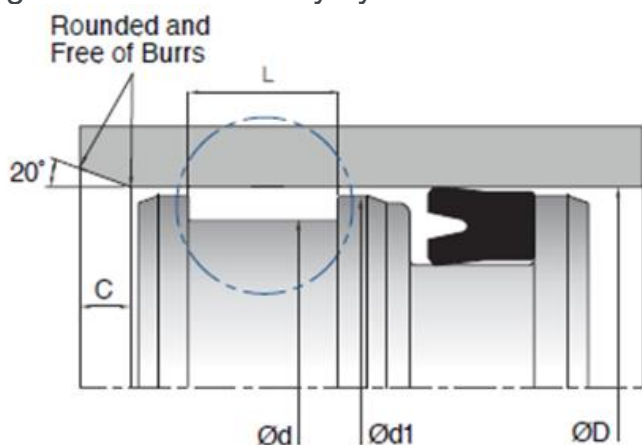
K69 is a glass-fibre reinforced POM guide ring, designed for general purpose in hydraulic applications. Glass-fibre composition in the material increases the load bearing capacity of the guiding element.

### Advantages

- Easy installation
- The high form stability at operating temperature range
- Wide dimension range

### Area of Application

- Agricultural machinery
- Mobile machinery
- Industrial cylinders
- Light and medium duty cylinders



	D (H8)	d (h8)	d1 (h9)	L (+0.2/-0)	H	MATERIAL	Kastaş CODE
K69-020	20	16	19.6	9.6	9.4	PM9902	10022809
K69-020/1	20	17	19.6	3.2	3	PM9902	10022811

	<b>D (H8)</b>	<b>d (h8)</b>	<b>d1 (h9)</b>	<b>L (+0.2/ -0)</b>	<b>H</b>	<b>MATERIAL</b>	<b>Kasaş CODE</b>
K69-022	22	18	21.6	9.6	9.4	PM9902	10022812
K69-025	25	21	24.6	9.7	9.5	PM9902	10022814
K69-025/1	25	21	24.6	8.2	8	PM9902	10022815
K69-025/2	25	22	24.6	4.2	4	PM9902	10022816
K69-025/3	25	21.9	24.6	4	3.8	PM9902	10022817
K69-025/4	25	22	24.6	5.8	5.6	PM9902	10022818
K69-030	30	26	29.6	9.7	9.5	PM9902	10022820
K69-030/1	30	25	29.5	5.6	5.4	PM9902	10022821
K69-030/2	30	27	29.6	10	9.8	PM9902	10022822
K69-030/3	30	27	29.6	5	4.8	PM9902	10022823
K69-030/4	30	25	29.5	15.2	15	PM9902	10022824
K69-032	32	28	31.6	9.7	9.5	PM9902	10022827
K69-032/1	32	26	31.4	9.9	9.7	PM9902	10022829
K69-032/2	32	28.9	31.6	4	3.8	PM9902	10022831
K69-032/3	32	27	31.5	5.6	5.4	PM9902	10022832
K69-033	33	28	32.5	5.7	5.5	PM9902	10022833
K69-033/1	33	28	32.5	9.7	9.5	PM9902	10022834
K69-034	34	28	33.4	9.7	9.5	PM9902	10022835
K69-035	35	30	34.5	15.2	15	PM9902	10022836
K69-035/1	35	31	34.6	9.7	9.5	PM9902	10022837
K69-035/2	35	29	34.4	9.7	9.5	PM9902	10022838
K69-035/3	35	29	34.4	10	9.8	PM9902	10022839
K69-035/4	35.1	32	34.7	4	3.8	PM9902	10022840
K69-035/5	35	30	34.5	9.7	9.5	PM9902	10022841
K69-035/6	35	30	34.5	5.6	5.4	PM9902	10022842
K69-035/7	35	30	34.5	8.2	8	PM9902	10022843
K69-036	36	33	35.6	4	3.8	PM9902	10022844
K69-037	37	32	36.5	5.7	5.5	PM9902	10022845
K69-040	40	35	39.5	15.2	15	PM9902	10022847
K69-040/1	40	36	39.6	9.7	9.5	PM9902	10022848
K69-040/2	40	34	39.4	9.9	9.7	PM9902	10022850
K69-040/3	40	35	39.5	5.6	5.4	PM9902	10022851
K69-040/4	40	35	39.5	6.3	6.1	PM9902	10022852
K69-040/5	40	35	39.5	9.7	9.5	PM9902	10022854
K69-040/6	40	34	39.4	9.7	9.5	PM9902	10022855
K69-040/7	40	36	39.6	6.4	6.2	PM9902	10022856
K69-041	41	36	40.5	9.7	9.5	PM9902	10022857

	<b>D (H8)</b>	<b>d (h8)</b>	<b>d1 (h9)</b>	<b>L (+0.2/- 0)</b>	<b>H</b>	<b>MATERIAL</b>	<b>Kasaş CODE</b>
K69-041/1	41	38	40.6	21	20.8	PM9902	10022858
K69-041/2	41	35	40.4	20	19.8	PM9902	10022859
K69-041/3	41	36	40.5	5.6	5.4	PM9902	10022860
K69-045	45	40	44.5	15.2	15	PM9902	10022863
K69-045/1	45	41	44.6	9.7	9.5	PM9902	10022864
K69-045/2	45	40	44.5	9.7	9.5	PM9902	10022865
K69-045/3	45	41	44.6	10.2	10	PM9902	10022866
K69-045/4	45	39	44.4	10	9.8	PM9902	10022867
K69-045/5	45	40	44.5	20.2	20	PM9902	10022868
K69-045/6	45	40	44.5	10	9.8	PM9902	10022869
K69-045/7	45	40	44.5	5.6	5.4	PM9902	10022870
K69-045/8	45	40	44.5	9.8	9.6	PM9902	10022871
K69-045/9	45	40	44.5	9.9	9.7	PM9902	10022872
K69-046	46	41	45.5	5.6	5.4	PM9902	10022873
K69-046/1	46	40	45.4	13	12.8	PM9902	10022874
K69-049	49	45	48.6	20	19.8	PM9902	10022875
K69-050	50	45	49.5	15.2	15	PM9902	10022876
K69-050/1	50	44	49.4	9.7	9.5	PM9902	10022880
K69-050/2	50	45	49.5	9.7	9.5	PM9902	10022882
K69-050/3	50	45	49.5	5.6	5.4	PM9902	10022883
K69-050/4	50	46	49.6	15.2	15	PM9902	10022884
K69-050/5	50	43.5	49.4	5.8	5.6	PM9902	10022885
K69-050.8	50.8	44.45	50.2	19.25	19.05	PM9902	10022878
K69-050.8/1	50.8	44.45	50.2	6.55	6.35	PM9902	10022879
K69-053	53	47	52.4	13	12.8	PM9902	10022886
K69-055	55	50	54.5	15.2	15	PM9902	10022887
K69-055/1	55	49	54.4	12.7	12.5	PM9902	10022888
K69-055/2	55	50	54.5	8.2	8	PM9902	10022889
K69-055/3	55	50	54.5	20.2	20	PM9902	10022890
K69-055/4	55	50	54.5	9.7	9.5	PM9902	10022891
K69-055/5	55	49	54.4	9.5	9.3	PM9902	10022892
K69-055/6	55	49	54.4	9.9	9.7	PM9902	10022893
K69-055/7	55	51	54.6	10	9.8	PM9902	10022894
K69-055/8	55	50	54.5	5.6	5.4	PM9902	10022895
K69-055/9	55	50	54.5	9.9	9.7	PM9902	10022896
K69-057.15	57.15	50.8	56.55	19.25	19.05	PM9902	10022898
K69-060	60	55	59.5	15.2	15	PM9902	10022900

	<b>D (H8)</b>	<b>d (h8)</b>	<b>d1 (h9)</b>	<b>L (+0.2/- 0)</b>	<b>H</b>	<b>MATERIAL</b>	<b>Kastaş CODE</b>
K69-060/1	60	54	59.4	12.7	12.5	PM9902	10022901
K69-060/2	60	54	59.4	9.5	9.3	PM9902	10022906
K69-060/3	60	55	59.5	9.7	9.5	PM9902	10022908
K69-060/4	60	56	59.6	9.8	9.6	PM9902	10022909
K69-060/5	60	56	59.6	10.2	10	PM9902	10022910
K69-060/6	60	54	59.4	5.6	5.4	PM9902	10022911
K69-060/7	60	55	59.5	5.8	5.6	PM9902	10022912
K69-060/8	60	55	59.5	9.9	9.7	PM9902	10022913
K69-060/9	60	56	59.6	8.1	7.9	PM9902	10022914
K69-060/10	60	55	59.5	7.2	7	PM9902	10022902
K69-060/11	60	55	59.5	13.2	13	PM9902	10022903
K69-060/12	60	55	59.5	20.2	20	PM9902	10022904
K69-062	62	56	61.4	20.2	20	PM9902	10022916
K69-062/1	62	56	61.4	9.7	9.5	PM9902	10022917
K69-063	63	57	62.4	12.7	12.5	PM9902	10022918
K69-063/1	63	58	62.5	10	9.8	PM9902	10022919
K69-063/2	63	58	62.5	9.7	9.5	PM9902	10022922
K69-063/3	63	59	62.6	9.7	9.5	PM9902	10022923
K69-063/4	63	57	62.4	10	9.8	PM9902	10022924
K69-063/5	63	58	62.5	5.6	5.4	PM9902	10022925
K69-063/6	63	58	62.5	6.3	6.1	PM9902	10022926
K69-063/7	63	57	62.4	9.7	9.5	PM9902	10022927
K69-064	64	60	63.6	19.5	19.3	PM9902	10022929
K69-064/1	64	60	63.6	10.2	10	PM9902	10022930
K69-065	65	60	64.5	15.2	15	PM9902	10022931
K69-065/1	65	59	64.4	12.7	12.5	PM9902	10022932
K69-065/2	65	60	64.5	9.7	9.5	PM9902	10022936
K69-065/3	65	62	64.6	20	19.8	PM9902	10022937
K69-065/4	65	60	64.5	5.5	5.3	PM9902	10022938
K69-065/5	65	60	64.5	8.2	8	PM9902	10022939
K69-065/7	65	60	64.5	9.9	9.7	PM9902	10022941
K69-065/8	65	60	64.5	5.7	5.5	PM9902	10022942
K69-065/9	65	60	64.5	9.5	9.3	PM9902	10022943
K69-066	66	60	65.4	9.7	9.5	PM9902	10022944
K69-068	68	63	67.5	9.7	9.5	PM9902	10022946
K69-069	69	63	68.4	30.2	30	PM9902	10022948
K69-070	70	65	69.5	15.2	15	PM9902	10022949

	<b>D (H8)</b>	<b>d (h8)</b>	<b>d1 (h9)</b>	<b>L (+0.2/- 0)</b>	<b>H</b>	<b>MATERIAL</b>	<b>Kasaş CODE</b>
K69-070/1	70	64	69.4	12.7	12.5	PM9902	10022950
K69-070/2	70	65	69.5	9.7	9.5	PM9902	10022954
K69-070/3	70	66	69.6	10	9.8	PM9902	10022955
K69-070/4	70	65	69.5	5.6	5.4	PM9902	10022956
K69-070/5	70	65	69.5	7	6.8	PM9902	10022957
K69-070/7	70	64	69.4	10.2	10	PM9902	10022959
K69-070/8	70	65	69.5	7.2	7	PM9902	10022961
K69-070/9	70	65	69.5	9.9	9.7	PM9902	10022962
K69-072	72	67	71.5	5.6	5.4	PM9902	10022963
K69-075	75	70	74.5	15.2	15	PM9902	10022964
K69-075/1	75	69	74.4	12.7	12.5	PM9902	10022965
K69-075/2	75	70	74.5	9.7	9.5	PM9902	10022967
K69-075/3	75	70	74.5	5.6	5.4	PM9902	10022968
K69-075/4	75	70	74.5	30.2	30	PM9902	10022969
K69-075/5	75	70	74.5	9.9	9.7	PM9902	10022970
K69-075/6	75	70	74.5	20.2	20	PM9902	10022971
K69-076.20	76.2	69.85	75.6	19.25	19.05	PM9902	10022974
K69-080	80	75	79.5	15.2	15	PM9902	10022977
K69-080/1	80	74	79.4	12.7	12.5	PM9902	10022978
K69-080/2	80	75	79.5	8.2	8	PM9902	10022987
K69-080/3	80	75	79.5	9.7	9.5	PM9902	10022989
K69-080/4	80	76	79.6	15.2	15	PM9902	10022990
K69-080/5	80	72	79.4	6.2	6	PM9902	10022991
K69-080/6	80	75	79.5	5.6	5.4	PM9902	10022992
K69-080/7	80	74	79.4	12.2	12	PM9902	10022993
K69-080/8	80	75	79.5	9.9	9.7	PM9902	10022994
K69-080/9	80	75	79.5	25.2	25	PM9902	10022995
K69-080/10	80	74	79.4	9.9	9.7	PM9902	10022981
K69-080/11	80	75	79.5	15	14.8	PM9902	10022982
K69-080/13	80	75	79.5	20	19.8	PM9902	10022984
K69-080/15	80	76	79.6	9.7	9.5	PM9902	10022986
K69-083	83	75	82.4	9.7	9.5	PM9902	10022996
K69-085	85	80	84.5	15.2	15	PM9902	10022998
K69-085/1	85	79	84.4	12.7	12.5	PM9902	10022999
K69-085/2	85	80	84.5	9.7	9.5	PM9902	10023000
K69-085/3	85	80	84.5	20	19.8	PM9902	10023001
K69-085/4	85	80	84.5	5.6	5.4	PM9902	10023002

	<b>D (H8)</b>	<b>d (h8)</b>	<b>d1 (h9)</b>	<b>L (+0.2/- 0)</b>	<b>H</b>	<b>MATERIAL</b>	<b>Kastaş CODE</b>
K69-085/5	85	80	84.5	9.9	9.7	PM9902	10023003
K69-085/6	85	77	84.4	19.9	19.7	PM9902	10023004
K69-086	86	80	85.4	30.2	30	PM9902	10023005
K69-090	90	85	89.5	15.2	15	PM9902	10023007
K69-090/1	90	84	89.4	12.7	12.5	PM9902	10023008
K69-090/2	90	85	89.5	5.7	5.5	PM9902	10023011
K69-090/3	90	85	89.5	9.9	9.7	PM9902	10023012
K69-090/4	90	85	89.5	9.7	9.5	PM9902	10023013
K69-090/5	90	84	89.4	25	24.8	PM9902	10023014
K69-090/6	90	85	89.5	15	14.8	PM9902	10023015
K69-090/7	90	84	89.4	15.2	15	PM9902	10023016
K69-090/8	90	84	89.4	19.7	19.5	PM9902	10023017
K69-094	94	90	93.6	15.2	15	PM9902	10023019
K69-095	95	90	94.5	15.2	15	PM9902	10023021
K69-095/1	95	89	94.4	12.7	12.5	PM9902	10023022
K69-095/2	95	90	94.5	9.7	9.5	PM9902	10023023
K69-095/3	95	90	94.5	9.9	9.7	PM9902	10023024
K69-095/4	95	90	94.5	9.5	9.3	PM9902	10023025
K69-096/2	96	90	95.4	30.2	30	PM9902	10023029
K69-096/3	95	90	94.5	12.8	12.6	PM9902	10023030
K69-100	100	95	99.5	15.2	15	PM9902	10023032
K69-100/1	100	94	99.4	12.7	12.5	PM9902	10023033
K69-100/2	100	95	99.5	5.6	5.4	PM9902	10023038
K69-100/3	100	96	99.6	10.2	10	PM9902	10023040
K69-100/4	100	94	99.4	13	12.8	PM9902	10023041
K69-100/5	100	95	99.5	9.7	9.5	PM9902	10023042
K69-100/6	100	95	99.5	10.2	10	PM9902	10023043
K69-100/7	100	95	99.5	15	14.8	PM9902	10023044
K69-100/9	100	94	99.4	15	14.8	PM9902	10023045
K69-100/10	100	95	99.5	9.5	9.3	PM9902	10023035
K69-100/11	100	94	99.4	25	24.8	PM9902	10023036
K69-100/12	100	94	99.4	15.2	15	PM9902	10023037
K69-103	103	95	102.4	9.7	9.5	PM9902	10023046
K69-104	104	100	103.6	15.2	15	PM9902	10023047
K69-105	105	100	104.5	15.2	15	PM9902	10023048
K69-105/1	105	101	104.6	15.2	15	PM9902	10023049
K69-105/2	105	100	104.5	9.9	9.7	PM9902	10023050

	<b>D (H8)</b>	<b>d (h8)</b>	<b>d1 (h9)</b>	<b>L (+0.2/- 0)</b>	<b>H</b>	<b>MATERIAL</b>	<b>Kastaş CODE</b>
K69-105/3	105	100	104.5	15	14.8	PM9902	10023051
K69-105/4	105	100	104.5	9.5	9.3	PM9902	10023052
K69-105/5	105	99	104.4	15	14.8	PM9902	10023053
K69-110	110	104	109.4	12.7	12.5	PM9902	10023055
K69-110/1	110	105	109.5	9.7	9.5	PM9902	10023056
K69-110/2	110	106	109.6	14.9	14.7	PM9902	10023060
K69-110/3	110	104	109.4	10.2	10	PM9902	10023061
K69-110/6	110	105	109.5	15	14.8	PM9902	10023063
K69-110/8	110	105	109.5	9.9	9.7	PM9902	10023064
K69-110/9	110	104	109.4	15	14.8	PM9902	10023065
K69-110/10	110	105	109.5	9.5	9.3	PM9902	10023057
K69-110/11	110	104	109.4	15.2	15	PM9902	10023058
K69-110/12	110	104	109.4	24.7	24.5	PM9902	10023059
K69-115	115	109	114.4	12.7	12.5	PM9902	10023066
K69-115/1	115	110	114.5	9.7	9.5	PM9902	10023067
K69-115/2	115	105	114.4	17	16.8	PM9902	10023068
K69-115/4	115	110	114.5	20.2	20	PM9902	10023070
K69-115/5	115	110	114.5	9.5	9.3	PM9902	10023071
K69-115/6	115	110	114.5	15	14.8	PM9902	10023072
K69-115/7	115	109	114.4	19.2	19	PM9902	10023073
K69-120	120	114	119.4	12.7	12.5	PM9902	10023076
K69-120/1	120	115	119.5	15.2	15	PM9902	10023077
K69-120/2	120	115	119.5	9.7	9.5	PM9902	10023078
K69-120/3	120	115	119.5	15	14.8	PM9902	10023079
K69-120/4	120	114	119.4	15	14.8	PM9902	10023080
K69-120/5	120	115	119.5	9.5	9.3	PM9902	10023081
K69-125	125	120	124.5	15.2	15	PM9902	10023082
K69-125/1	125	119	124.4	12.7	12.5	PM9902	10023083
K69-125/2	125	120	124.5	9.7	9.5	PM9902	10023085
K69-125/4	125	119	124.4	15.2	15	PM9902	10023086
K69-125/6	125	120	124.5	9.9	9.7	PM9902	10023087
K69-125/7	125	119	124.4	15	14.8	PM9902	10023088
K69-125/8	125	121	124.6	10	9.8	PM9902	10023089
K69-125/9	125	120	124.5	9.5	9.3	PM9902	10023090
K69-125/10	125	119	124.4	20.2	20	PM9902	10023084
K69-130	130	124	129.4	12.7	12.5	PM9902	10023091
K69-130/1	130	125	129.5	15.2	15	PM9902	10023092

	<b>D (H8)</b>	<b>d (h8)</b>	<b>d1 (h9)</b>	<b>L (+0.2/- 0)</b>	<b>H</b>	<b>MATERIAL</b>	<b>Kasaş CODE</b>
K69-130/2	130	125	129.5	7.2	7	PM9902	10023093
K69-130/3	130	125	129.5	15	14.8	PM9902	10023094
K69-130/5	130	123	129.4	15	14.8	PM9902	10023096
K69-130/4	130	125	129.5	9.9	9.7	PM9902	10023095
K69-135	135	130	134.5	15.2	15	PM9902	10023098
K69-135/1	135	129	134.4	12.8	12.6	PM9902	10023099
K69-135/2	135	130	134.5	12.5	12.3	PM9902	10023100
K69-135/3	135	128	134.4	25	24.8	PM9902	10023101
K69-135/4	135	129	134.4	19.2	19	PM9902	10023102
K69-139	139.7	133.35	139.1	9.72	9.52	PM9902	10023103
K69-140	140	134	139.4	12.7	12.5	PM9902	10023104
K69-140/1	140	135	139.5	9.7	9.5	PM9902	10023105
K69-140/2	140	135	139.5	15.2	15	PM9902	10023106
K69-140/3	140	133	139.4	15.2	15	PM9902	10023107
K69-140/4	140	133	139.4	20	19.8	PM9902	10023108
K69-140/5	140	133	139.4	14.9	14.7	PM9902	10023109
K69-140/6	140	135	139.5	9.5	9.3	PM9902	10023110
K69-140/7	140	134	139.4	20.2	20	PM9902	10023111
K69-140/8	140	135	139.5	15	14.8	PM9902	10023112
K69-145	145	140	144.5	15.2	15	PM9902	10023113
K69-145/1	145	140	144.5	9.9	9.7	PM9902	10023115
K69-145/2	145	140	144.5	25	24.8	PM9902	10023116
K69-150	150	144	149.4	12.7	12.5	PM9902	10023117
K69-150/1	150	144	149.4	19.2	19	PM9902	10023118
K69-150/2	150	145	149.5	9.7	9.5	PM9902	10023119
K69-150/3	150	146	149.6	10.2	10	PM9902	10023120
K69-150/4	150	143	149.4	20	19.8	PM9902	10023121
K69-150/5	150	145	149.5	9.5	9.3	PM9902	10023122
K69-150/6	150	145	149.5	15.2	15	PM9902	10023123
K69-154	154	150	153.6	15.2	15	PM9902	10023125
K69-156	156	150	155.4	19.2	19	PM9902	10023127
K69-160	160	155	159.5	15.2	15	PM9902	10023129
K69-160/1	160	154	159.4	19.2	19	PM9902	10023130
K69-160/2	160	155	159.5	9.7	9.5	PM9902	10023131
K69-160/4	160	152	159.4	15.2	15	PM9902	10023133
K69-160/5	160	153	159.4	19.7	19.5	PM9902	10023134
K69-165	165	160	164.5	15.2	15	PM9902	10023135



	D (H8)	d (h8)	d1 (h9)	L (+0.2/- 0)	H	MATERIAL	Kastaş CODE
K69-165/1	165	159	164.4	29.7	29.5	PM9902	10023136
K69-166	166	160	165.4	12.7	12.5	PM9902	10023137
K69-170	170	165	169.5	15.2	15	PM9902	10023139
K69-170/1	170	162	169.4	19.7	19.5	PM9902	10023140
K69-175	175	170	174.5	15.2	15	PM9902	10023141
K69-180	180	174	179.4	19.2	19	PM9902	10023143
K69-180/1	180	175	179.5	9.7	9.5	PM9902	10023144
K69-180/2	180	172	179.4	15	14.8	PM9902	10023145
K69-185	185	180	184.5	15.2	15	PM9902	10023146
K69-190	190	185	189.5	15.2	15	PM9902	10023147
K69-190/1	190	182	189.4	24.7	24.5	PM9902	10023148
K69-195	195	190	194.5	15.2	15	PM9902	10023149
K69-200	200	194	199.4	19.2	19	PM9902	10023150
K69-200/1	200	195	199.5	15.2	15	PM9902	10023151
K69-200/2	200	192	199.4	15	14.8	PM9902	10023152
K69-210	210	205	209.5	9.9	9.7	PM9902	10023154
K69-220	220	214	219.4	19.2	19	PM9902	10023155
K69-225	225	219	224.4	19.2	19	PM9902	10023156
K69-225/1	225	220	224.5	25	24.8	PM9902	10023157
K69-226	226	220	225.4	19.2	19	PM9902	10023158
K69-250	250	244	249.4	19.2	19	PM9902	10023159

Алматы (7273)495-231  
Ангарск (3955)60-70-56  
Архангельск (8182)63-90-72  
Астрахань (8512)99-46-04  
Барнаул (3852)73-04-60  
Белгород (4722)40-23-64  
Благовещенск (4162)22-76-07  
Брянск (4832)59-03-52  
Владивосток (423)249-28-31  
Владикавказ (8672)28-90-48  
Владимир (4922)49-43-18  
Волгоград (844)278-03-48  
Вологда (8172)26-41-59  
Воронеж (473)204-51-73  
Екатеринбург (343)384-55-89

Иваново (4932)77-34-06  
Ижевск (3412)26-03-58  
Иркутск (395)279-98-46  
Казань (843)206-01-48  
Калининград (4012)72-03-81  
Калуга (4842)92-23-67  
Кемерово (3842)65-04-62  
Киров (8332)68-02-04  
Коломна (4966)23-41-49  
Кострома (4942)77-07-48  
Краснодар (861)203-40-90  
Красноярск (391)204-63-61  
Курск (4712)77-13-04  
Курган (3522)50-90-47  
Липецк (4742)52-20-81

Магнитогорск (3519)55-03-13  
Москва (495)268-04-70  
Мурманск (8152)59-64-93  
Набережные Челны (8552)20-53-41  
Нижний Новгород (831)429-08-12  
Новокузнецк (3843)20-46-81  
Ноябрьск (3496)41-32-12  
Новосибирск (383)227-86-73  
Омск (3812)21-46-40  
Орел (4862)44-53-42  
Оренбург (3532)37-68-04  
Пенза (8412)22-31-16  
Петрозаводск (8142)55-98-37  
Псков (8112)59-10-37  
Пермь (342)205-81-47

Ростов-на-Дону (863)308-18-15  
Рязань (4912)46-61-64  
Самара (846)206-03-16  
Санкт-Петербург (812)309-46-40  
Саратов (845)249-38-78  
Севастополь (8692)22-31-93  
Саранск (8342)22-96-24  
Симферополь (3652)67-13-56  
Смоленск (4812)29-41-54  
Сочи (862)225-72-31  
Ставрополь (8652)20-65-13  
Сургут (3462)77-98-35  
Сыктывкар (8212)25-95-17  
Тамбов (4752)50-40-97  
Тверь (4822)63-31-35

Тольятти (8482)63-91-07  
Томск (3822)98-41-53  
Тула (4872)33-79-87  
Тюмень (3452)66-21-18  
Ульяновск (8422)24-23-59  
Улан-Удэ (3012)59-97-51  
Уфа (347)229-48-12  
Хабаровск (4212)92-98-04  
Чебоксары (8352)28-53-07  
Челябинск (351)202-03-61  
Череповец (8202)49-02-64  
Чита (3022)38-34-83  
Якутск (4112)23-90-97  
Ярославль (4852)69-52-93

Россия +7(495)268-04-70

Казахстан +7(7172)727-132

Киргизия +996(312)96-26-47

<https://kastas.nt-rt.ru/> || [ksi@nt-rt.ru](mailto:ksi@nt-rt.ru)