

Алматы (7273)495-231
Ангарск (3955)60-70-56
Архангельск (8182)63-90-72
Астрахань (8512)99-46-04
Барнаул (3852)73-04-60
Белгород (4722)40-23-64
Благовещенск (4162)22-76-07
Брянск (4832)59-03-52
Владивосток (423)249-28-31
Владикавказ (8672)28-90-48
Владимир (4922)49-43-18
Волгоград (844)278-03-48
Вологда (8172)26-41-59
Воронеж (473)204-51-73
Екатеринбург (343)384-55-89

Иваново (4932)77-34-06
Ижевск (3412)26-03-58
Иркутск (395)279-98-46
Казань (843)206-01-48
Калининград (4012)72-03-81
Калуга (4842)92-23-67
Кемерово (3842)65-04-62
Киров (8332)68-02-04
Коломна (4966)23-41-49
Кострома (4942)77-07-48
Краснодар (861)203-40-90
Красноярск (391)204-63-61
Курск (4712)77-13-04
Курган (3522)50-90-47
Липецк (4742)52-20-81

Магнитогорск (3519)55-03-13
Москва (495)268-04-70
Ижевск (3412)26-03-58
Мурманск (8152)59-64-93
Набережные Челны (8552)20-53-41
Нижний Новгород (831)429-08-12
Новокузнецк (3843)20-46-81
Ноябрьск (3496)41-32-12
Новосибирск (383)227-86-73
Омск (3812)21-46-40
Орел (4862)44-53-42
Оренбург (3532)37-68-04
Пенза (8412)22-31-16
Петрозаводск (8142)55-98-37
Псков (8112)59-10-37
Пермь (342)205-81-47

Ростов-на-Дону (863)308-18-15
Рязань (4912)46-61-64
Самара (846)206-03-16
Санкт-Петербург (812)309-46-40
Саратов (845)249-38-78
Севастополь (8692)22-31-93
Саранск (8342)22-96-24
Симферополь (3652)67-13-56
Смоленск (4812)29-41-54
Сочи (862)225-72-31
Ставрополь (8652)20-65-13
Сургут (3462)77-98-35
Сыктывкар (8212)25-95-17
Тамбов (4752)50-40-97
Тверь (4822)63-31-35

Тольятти (8482)63-91-07
Томск (3822)98-41-53
Тула (4872)33-79-87
Тюмень (3452)66-21-18
Ульяновск (8422)24-23-59
Улан-Удэ (3012)59-97-51
Уфа (347)229-48-12
Хабаровск (4212)92-98-04
Чебоксары (8352)28-53-07
Челябинск (351)202-03-61
Череповец (8202)49-02-64
Чита (3022)38-34-83
Якутск (4112)23-90-97
Ярославль (4852)69-52-93

Россия +7(495)268-04-70

Казахстан +7(7172)727-132

Киргизия +996(312)96-26-47

<https://kastas.nt-rt.ru/> || ksi@nt-rt.ru

KO - O-RING



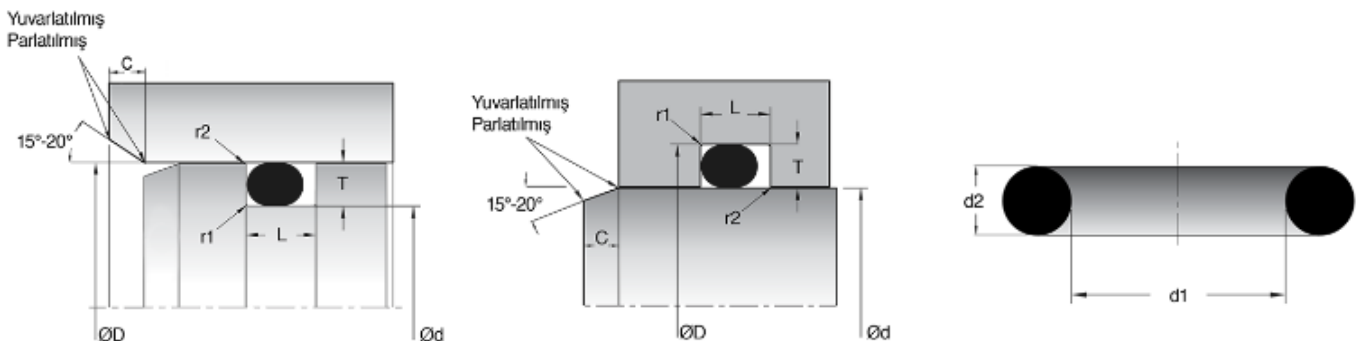
O-rings are sealing elements that can be used statically or dynamically in many applications.

Advantages

- Easy installation
- Wide range of dimensions
- Simple groove design
- Economical sealing solution
- Usage with back-up ring at high pressures

Area of Application

- Hydraulic and pneumatic applications



	d1	d2	MATERIAL	Kastaş CODE
KO-0017817	1.78	1.78	NB7001	20001778
KO-0018010	1.8	1	NB7001	20001779
KO-0020010	2	1	NB7001	20001780
KO-0020015	2	1.5	NB7001	20001782
KO-0025010	2.5	1	NB7001	20001789
KO-0025015	2.5	1.5	NB7001	20001791
KO-0025717	2.57	1.78	NB7001	20001792
KO-0028426	2.84	2.62	NB7001	20001799
KO-0029017	2.9	1.78	NB7001	20001800
KO-0030010	3	1	NB7001	20001805
KO-0030015	3	1.5	NB7001	20001811
KO-0030020	3	2	NB7001	20001819
KO-0031016	3.1	1.6	NB7001	20001822
KO-0031717	3.17	1.78	NB7001	20001823
KO-0033024	3.3	2.4	NB7001	20001824
KO-0034019	3.4	1.9	NB7001	20001826
KO-0035015	3.5	1.5	NB7001	20001828
KO-0036024	3.6	2.4	NB7001	20001835
KO-0036326	3.63	2.62	NB7001	20001837
KO-0036817	3.68	1.78	NB7001	20001840
KO-0040010	4	1	NB7001	20001848
KO-0040015	4	1.5	NB7001	20001853
KO-0040020	4	2	NB7001	20001859
KO-0040025	4	2.5	NB7001	20001862
KO-0041016	4.1	1.6	NB7001	20001865
KO-0043024	4.3	2.4	NB7001	20001866
KO-0043435	4.34	3.53	NB7001	20001869
KO-0044226	4.42	2.62	NB7001	20001870
KO-0044817	4.48	1.78	NB7001	20001874
KO-0045010	4.5	1	NB7001	20001877
KO-0045015	4.5	1.5	NB7001	20001879
KO-0045020	4.5	2	NB7001	20001882
KO-0047617	4.76	1.78	NB7001	20001885
KO-0050010	5	1	NB7001	20001890
KO-0050015	5	1.5	NB7001	20001893
KO-0050020	5	2	NB7001	20001900
KO-0050025	5	2.5	NB7001	20001905

	d1	d2	MATERIAL	Kastaş CODE
KO-0050030	5	3	NB7001	20001907
KO-0051016	5.1	1.6	NB7001	20001910
KO-0052326	5.23	2.62	NB7001	20001911
KO-0052817	5.28	1.78	NB7001	20001916
KO-0053024	5.3	2.4	NB7001	20001921
KO-0055015	5.5	1.5	NB7001	20001925
KO-0055020	5.5	2	NB7001	20001926
KO-0056024	5.6	2.4	NB7001	20001932
KO-0057019	5.7	1.9	NB7001	20001934
KO-0059435	5.94	3.53	NB7001	20001938
KO-0060010	6	1	NB7001	20001939
KO-0060015	6	1.5	NB7001	20001940
KO-0060020	6	2	NB7001	20001951
KO-0060025	6	2.5	NB7001	20001958
KO-0060030	6	3	NB7001	20001962
KO-0060226	6.02	2.62	NB7001	20001966
KO-0060717	6.07	1.78	NB7001	20001968
KO-0063024	6.3	2.4	NB7001	20001974
KO-0063517	6.35	1.78	NB7001	20001978
KO-0064019	6.4	1.9	NB7001	20001981
KO-0065015	6.5	1.5	NB7001	20001982
KO-0065020	6.5	2	NB7001	20001986
KO-0067517	6.75	1.78	NB7001	20001995
KO-0070010	7	1	NB7001	20002000
KO-0070015	7	1.5	NB7001	20002004
KO-0070020	7	2	NB7001	20002007
KO-0070025	7	2.5	NB7001	20002014
KO-0070030	7	3	NB7001	20002017
KO-0071016	7.1	1.6	NB7001	20002023
KO-0072017	7.2	1.78	NB7001	20002025
KO-0073024	7.3	2.4	NB7001	20002026
KO-0075015	7.5	1.5	NB7001	20002029
KO-0075020	7.5	2	NB7001	20002032
KO-0075025	7.5	2.5	NB7001	20002035
KO-0075030	7.5	3	NB7001	20002036
KO-0075235	7.52	3.53	NB7001	20002037
KO-0076024	7.6	2.4	NB7001	20002041

	d1	d2	MATERIAL	Kastaş CODE
KO-0076026	7.6	2.62	NB7001	20002042
KO-0076617	7.66	1.78	NB7001	20002047
KO-0080010	8	1	NB7001	20002053
KO-0080015	8	1.5	NB7001	20002055
KO-0080020	8	2	NB7001	20002059
KO-0080025	8	2.5	NB7001	20002067
KO-0080030	8	3	NB7001	20002069
KO-0081016	8.1	1.6	NB7001	20002072
KO-0083024	8.3	2.4	NB7001	20002074
KO-0085025	8.5	2.5	NB7001	20002080
KO-0086024	8.6	2.4	NB7001	20002082
KO-0087317	8.73	1.78	NB7001	20002083
KO-0089019	8.9	1.9	NB7001	20002087
KO-0090010	9	1	NB7001	20002090
KO-0090015	9	1.5	NB7001	20002093
KO-0090020	9	2	NB7001	20002099
KO-0090025	9	2.5	NB7001	20002104
KO-0090030	9	3	NB7001	20002107
KO-0090040	9	4	NB7001	20002112
KO-0091016	9.1	1.6	NB7001	20002114
KO-0091235	9.12	3.53	NB7001	20002116
KO-0091926	9.19	2.62	NB7001	20002117
KO-0092517	9.25	1.78	NB7001	20002123
KO-0093024	9.3	2.4	NB7001	20002134
KO-0095015	9.5	1.5	NB7001	20002140
KO-0096024	9.6	2.4	NB7001	20002146
KO-0096617	9.66	1.78	NB7001	20002149
KO-0097517	9.75	1.78	NB7001	20002152
KO-0099226	9.92	2.62	NB7001	20002162
KO-0100010	10	1	NB7001	20002167
KO-0100015	10	1.5	NB7001	20002173
KO-0100020	10	2	NB7001	20002181
KO-0100025	10	2.5	NB7001	20002191
KO-0100030	10	3	NB7001	20002194
KO-0100040	10	4	NB7001	20002197
KO-0101016	10.1	1.6	NB7001	20002199
KO-0103024	10.3	2.4	NB7001	20002202

	d1	d2	MATERIAL	Kastaş CODE
KO-0105015	10.5	1.5	NB7001	20002210
KO-0105020	10.5	2	NB7001	20002213
KO-0106024	10.6	2.4	NB7001	20002225
KO-0106935	10.69	3.53	NB7001	20002227
KO-0107826	10.78	2.62	NB7001	20002230
KO-0108217	10.82	1.78	NB7001	20002235
KO-0110010	11	1	NB7001	20002239
KO-0110015	11	1.5	NB7001	20002241
KO-0110020	11	2	NB7001	20002246
KO-0110025	11	2.5	NB7001	20002253
KO-0110030	11	3	NB7001	20002257
KO-0110040	11	4	NB7001	20002259
KO-0111016	11.1	1.6	NB7001	20002261
KO-0111117	11.11	1.78	NB7001	20002263
KO-0113024	11.3	2.4	NB7001	20002270
KO-0115015	11.5	1.5	NB7001	20002273
KO-0115020	11.5	2	NB7001	20002275
KO-0115025	11.5	2.5	NB7001	20002278
KO-0115030	11.5	3	NB7001	20002280
KO-0116024	11.6	2.4	NB7001	20002281
KO-0118035	11.8	3.53	NB7001	20002291
KO-0119126	11.91	2.62	NB7001	20002293
KO-0120010	12	1	NB7001	20002298
KO-0120015	12	1.5	NB7001	20002300
KO-0120020	12	2	NB7001	20002308
KO-0120025	12	2.5	NB7001	20002316
KO-0120030	12	3	NB7001	20002321
KO-0120040	12	4	NB7001	20002325
KO-0121016	12.1	1.6	NB7001	20002329
KO-0122935	12.29	3.53	NB7001	20002330
KO-0123024	12.3	2.4	NB7001	20002333
KO-0123726	12.37	2.62	NB7001	20002336
KO-0124217	12.42	1.78	NB7001	20002342
KO-0125020	12.5	2	NB7001	20002349
KO-0130010	13	1	NB7001	20002357
KO-0130015	13	1.5	NB7001	20002359
KO-0130020	13	2	NB7001	20002364

	d1	d2	MATERIAL	Kastaş CODE
KO-0130025	13	2.5	NB7001	20002367
KO-0130030	13	3	NB7001	20002371
KO-0131016	13.1	1.6	NB7001	20002376
KO-0131026	13.1	2.62	NB7001	20002379
KO-0133024	13.3	2.4	NB7001	20002385
KO-0135010	13.5	1	NB7001	20002391
KO-0135026	13.5	2.62	NB7001	20002394
KO-0136024	13.6	2.4	NB7001	20002396
KO-0138735	13.87	3.53	NB7001	20002398
KO-0139526	13.95	2.62	NB7001	20002402
KO-0140010	14	1	NB7001	20002406
KO-0140015	14	1.5	NB7001	20002408
KO-0140017	14	1.78	NB7001	20002414
KO-0140020	14	2	NB7001	20002420
KO-0140025	14	2.5	NB7001	20002427
KO-0140030	14	3	NB7001	20002433
KO-0140040	14	4	NB7001	20002437
KO-0141016	14.1	1.6	NB7001	20002440
KO-0143024	14.3	2.4	NB7001	20002442
KO-0145030	14.5	3	NB7001	20002445
KO-0146024	14.6	2.4	NB7001	20002448
KO-0150010	15	1	NB7001	20002452
KO-0150015	15	1.5	NB7001	20002455
KO-0150020	15	2	NB7001	20002460
KO-0150025	15	2.5	NB7001	20002469
KO-0150030	15	3	NB7001	20002474
KO-0150040	15	4	NB7001	20002479
KO-0150050	15	5	NB7001	20002482
KO-0150826	15.08	2.62	NB7001	20002483
KO-0151016	15.1	1.6	NB7001	20002486
KO-0152017	15.2	1.78	NB7001	20002487
KO-0152453	15.24	5.33	NB7001	20002489
KO-0153024	15.3	2.4	NB7001	20002490
KO-0154735	15.47	3.53	NB7001	20002492
KO-0155020	15.5	2	NB7001	20002495
KO-0155025	15.5	2.5	NB7001	20002498
KO-0155426	15.54	2.62	NB7001	20002499

	d1	d2	MATERIAL	Kastaş CODE
KO-0156017	15.6	1.78	NB7001	20002503
KO-0158826	15.88	2.62	NB7001	20002508
KO-0160010	16	1	NB7001	20002511
KO-0160015	16	1.5	NB7001	20002513
KO-0160020	16	2	NB7001	20002518
KO-0160025	16	2.5	NB7001	20002527
KO-0160030	16	3	NB7001	20002531
KO-0160040	16	4	NB7001	20002535
KO-0163024	16.3	2.4	NB7001	20002541
KO-0166024	16.6	2.4	NB7001	20002549
KO-0170015	17	1.5	NB7001	20002554
KO-0170020	17	2	NB7001	20002556
KO-0170025	17	2.5	NB7001	20002562
KO-0170030	17	3	NB7001	20002567
KO-0170435	17.04	3.53	NB7001	20002573
KO-0171016	17.1	1.6	NB7001	20002577
KO-0171326	17.13	2.62	NB7001	20002579
KO-0171717	17.17	1.78	NB7001	20002587
KO-0173024	17.3	2.4	NB7001	20002592
KO-0175025	17.5	2.5	NB7001	20002598
KO-0178626	17.86	2.62	NB7001	20002603
KO-0180010	18	1	NB7001	20002607
KO-0180015	18	1.5	NB7001	20002608
KO-0180020	18	2	NB7001	20002614
KO-0180025	18	2.5	NB7001	20002620
KO-0180030	18	3	NB7001	20002624
KO-0180040	18	4	NB7001	20002630
KO-0180050	18	5	NB7001	20002633
KO-0181016	18.1	1.6	NB7001	20002635
KO-0182526	18.25	2.62	NB7001	20002637
KO-0183024	18.3	2.4	NB7001	20002638
KO-0184253	18.42	5.33	NB7001	20002642
KO-0185015	18.5	1.5	NB7001	20002644
KO-0186435	18.64	3.53	NB7001	20002647
KO-0187226	18.72	2.62	NB7001	20002652
KO-0187717	18.77	1.78	NB7001	20002657
KO-0190015	19	1.5	NB7001	20002661

	d1	d2	MATERIAL	Kastaş CODE
KO-0190017	19	1.78	NB7001	20002663
KO-0190020	19	2	NB7001	20002664
KO-0190025	19	2.5	NB7001	20002670
KO-0190030	19	3	NB7001	20002673
KO-0191016	19.1	1.6	NB7001	20002678
KO-0192030	19.2	3	NB7001	20002682
KO-0193024	19.3	2.4	NB7001	20002684
KO-0199953	19.99	5.33	NB7001	20002694
KO-0200010	20	1	NB7001	20002696
KO-0200015	20	1.5	NB7001	20002697
KO-0200020	20	2	NB7001	20002700
KO-0200025	20	2.5	NB7001	20002707
KO-0200030	20	3	NB7001	20002710
KO-0200040	20	4	NB7001	20002715
KO-0200050	20	5	NB7001	20002718
KO-0202235	20.22	3.53	NB7001	20002719
KO-0202926	20.29	2.62	NB7001	20002724
KO-0203024	20.3	2.4	NB7001	20002729
KO-0203517	20.35	1.78	NB7001	20002732
KO-0205020	20.5	2	NB7001	20002738
KO-0206326	20.63	2.62	NB7001	20002740
KO-0210015	21	1.5	NB7001	20002742
KO-0210020	21	2	NB7001	20002745
KO-0210025	21	2.5	NB7001	20002750
KO-0210030	21	3	NB7001	20002753
KO-0213024	21.3	2.4	NB7001	20002758
KO-0216024	21.6	2.4	NB7001	20002764
KO-0218235	21.82	3.53	NB7001	20002766
KO-0218926	21.89	2.62	NB7001	20002771
KO-0219517	21.95	1.78	NB7001	20002774
KO-0220010	22	1	NB7001	20002780
KO-0220015	22	1.5	NB7001	20002781
KO-0220020	22	2	NB7001	20002786
KO-0220025	22	2.5	NB7001	20002791
KO-0220030	22	3	NB7001	20002794
KO-0220040	22	4	NB7001	20002797
KO-0220050	22	5	NB7001	20002799

	d1	d2	MATERIAL	Kastaş CODE
KO-0221016	22.1	1.6	NB7001	20002800
KO-0222030	22.2	3	NB7001	20002801
KO-0222226	22.22	2.62	NB7001	20002804
KO-0223024	22.3	2.4	NB7001	20002809
KO-0225020	22.5	2	NB7001	20002813
KO-0225025	22.5	2.5	NB7001	20002814
KO-0225030	22.5	3	NB7001	20002815
KO-0230020	23	2	NB7001	20002817
KO-0230025	23	2.5	NB7001	20002822
KO-0230030	23	3	NB7001	20002825
KO-0230040	23	4	NB7001	20002831
KO-0231753	23.17	5.33	NB7001	20002834
KO-0233024	23.3	2.4	NB7001	20002837
KO-0234035	23.4	3.53	NB7001	20002838
KO-0234726	23.47	2.62	NB7001	20002841
KO-0235030	23.5	3	NB7001	20002850
KO-0235317	23.53	1.78	NB7001	20002852
KO-0238126	23.81	2.62	NB7001	20002855
KO-0240015	24	1.5	NB7001	20002860
KO-0240020	24	2	NB7001	20002863
KO-0240025	24	2.5	NB7001	20002867
KO-0240030	24	3	NB7001	20002870
KO-0240040	24	4	NB7001	20002875
KO-0240050	24	5	NB7001	20002877
KO-0242030	24.2	3	NB7001	20002878
KO-0246024	24.6	2.4	NB7001	20002880
KO-0247753	24.77	5.33	NB7001	20002881
KO-0249935	24.99	3.53	NB7001	20002883
KO-0250010	25	1	NB7001	20002887
KO-0250015	25	1.5	NB7001	20002888
KO-0250020	25	2	NB7001	20002893
KO-0250025	25	2.5	NB7001	20002898
KO-0250030	25	3	NB7001	20002902
KO-0250040	25	4	NB7001	20002905
KO-0250050	25	5	NB7001	20002907
KO-0250726	25.07	2.62	NB7001	20002909
KO-0251217	25.12	1.78	NB7001	20002914

	d1	d2	MATERIAL	Kastaş CODE
KO-0252030	25.2	3	NB7001	20002917
KO-0253024	25.3	2.4	NB7001	20002919
KO-0258035	25.8	3.53	NB7001	20002923
KO-0260015	26	1.5	NB7001	20002926
KO-0260020	26	2	NB7001	20002928
KO-0260025	26	2.5	NB7001	20002931
KO-0260030	26	3	NB7001	20002934
KO-0260040	26	4	NB7001	20002938
KO-0262030	26.2	3	NB7001	20002941
KO-0263453	26.34	5.33	NB7001	20002943
KO-0265030	26.5	3	NB7001	20002944
KO-0265835	26.58	3.53	NB7001	20002947
KO-0266426	26.64	2.62	NB7001	20002950
KO-0267017	26.7	1.78	NB7001	20002955
KO-0270020	27	2	NB7001	20002958
KO-0270025	27	2.5	NB7001	20002962
KO-0270030	27	3	NB7001	20002965
KO-0270040	27	4	NB7001	20002970
KO-0271016	27.1	1.6	NB7001	20002972
KO-0273024	27.3	2.4	NB7001	20002976
KO-0274026	27.4	2.62	NB7001	20002977
KO-0275024	27.5	2.4	NB7001	20002980
KO-0279353	27.93	5.33	NB7001	20002982
KO-0280010	28	1	NB7001	20002984
KO-0280015	28	1.5	NB7001	20002986
KO-0280020	28	2	NB7001	20002989
KO-0280025	28	2.5	NB7001	20002994
KO-0280030	28	3	NB7001	20002998
KO-0280040	28	4	NB7001	20003003
KO-0280050	28	5	NB7001	20003005
KO-0281735	28.17	3.53	NB7001	20003007
KO-0282526	28.25	2.62	NB7001	20003011
KO-0283017	28.3	1.78	NB7001	20003016
KO-0285025	28.5	2.5	NB7001	20003020
KO-0290015	29	1.5	NB7001	20003021
KO-0290020	29	2	NB7001	20003022
KO-0290025	29	2.5	NB7001	20003026

	d1	d2	MATERIAL	Kastaş CODE
KO-0290030	29	3	NB7001	20003028
KO-0290040	29	4	NB7001	20003031
KO-0292030	29.2	3	NB7001	20003037
KO-0295153	29.51	5.33	NB7001	20003042
KO-0296024	29.6	2.4	NB7001	20003043
KO-0297535	29.75	3.53	NB7001	20003046
KO-0298226	29.82	2.62	NB7001	20003052
KO-0298717	29.87	1.78	NB7001	20003056
KO-0300010	30	1	NB7001	20003058
KO-0300015	30	1.5	NB7001	20003059
KO-0300020	30	2	NB7001	20003061
KO-0300025	30	2.5	NB7001	20003066
KO-0300030	30	3	NB7001	20003070
KO-0300040	30	4	NB7001	20003075
KO-0300050	30	5	NB7001	20003078
KO-0302030	30.2	3	NB7001	20003080
KO-0303024	30.3	2.4	NB7001	20003081
KO-0305025	30.5	2.5	NB7001	20003083
KO-0305030	30.5	3	NB7001	20003084
KO-0310020	31	2	NB7001	20003085
KO-0310030	31	3	NB7001	20003089
KO-0310040	31	4	NB7001	20003092
KO-0313435	31.34	3.53	NB7001	20003096
KO-0314226	31.42	2.62	NB7001	20003100
KO-0314717	31.47	1.78	NB7001	20003103
KO-0320010	32	1	NB7001	20003109
KO-0320020	32	2	NB7001	20003112
KO-0320025	32	2.5	NB7001	20003115
KO-0320030	32	3	NB7001	20003118
KO-0320040	32	4	NB7001	20003122
KO-0320050	32	5	NB7001	20003125
KO-0321016	32.1	1.6	NB7001	20003126
KO-0322030	32.2	3	NB7001	20003127
KO-0325030	32.5	3	NB7001	20003130
KO-0326953	32.69	5.33	NB7001	20003131
KO-0329235	32.92	3.53	NB7001	20003134
KO-0330020	33	2	NB7001	20003141

	d1	d2	MATERIAL	Kastaş CODE
KO-0330025	33	2.5	NB7001	20003143
KO-0330026	33	2.62	NB7001	20003145
KO-0330030	33	3	NB7001	20003147
KO-0330050	33	5	NB7001	20003150
KO-0330517	33.05	1.78	NB7001	20003152
KO-0333024	33.3	2.4	NB7001	20003155
KO-0340015	34	1.5	NB7001	20003161
KO-0340020	34	2	NB7001	20003162
KO-0340025	34	2.5	NB7001	20003164
KO-0340030	34	3	NB7001	20003166
KO-0340040	34	4	NB7001	20003170
KO-0342030	34.2	3	NB7001	20003175
KO-0342953	34.29	5.33	NB7001	20003177
KO-0345235	34.52	3.53	NB7001	20003182
KO-0345926	34.59	2.62	NB7001	20003186
KO-0346517	34.65	1.78	NB7001	20003190
KO-0350010	35	1	NB7001	20003193
KO-0350015	35	1.5	NB7001	20003194
KO-0350020	35	2	NB7001	20003197
KO-0350025	35	2.5	NB7001	20003198
KO-0350030	35	3	NB7001	20003201
KO-0350040	35	4	NB7001	20003204
KO-0350050	35	5	NB7001	20003206
KO-0352030	35.2	3	NB7001	20003209
KO-0355015	35.5	1.5	NB7001	20003211
KO-0360020	36	2	NB7001	20003212
KO-0360025	36	2.5	NB7001	20003217
KO-0360030	36	3	NB7001	20003220
KO-0360040	36	4	NB7001	20003223
KO-0361035	36.1	3.53	NB7001	20003227
KO-0361726	36.17	2.62	NB7001	20003230
KO-0362030	36.2	3	NB7001	20003233
KO-0362717	36.27	1.78	NB7001	20003235
KO-0365030	36.5	3	NB7001	20003239
KO-0370020	37	2	NB7001	20003242
KO-0370025	37	2.5	NB7001	20003244
KO-0370030	37	3	NB7001	20003248

	d1	d2	MATERIAL	Kastaş CODE
KO-0370040	37	4	NB7001	20003251
KO-0374753	37.47	5.33	NB7001	20003255
KO-0376024	37.6	2.4	NB7001	20003259
KO-0376935	37.69	3.53	NB7001	20003260
KO-0377726	37.77	2.62	NB7001	20003264
KO-0378217	37.82	1.78	NB7001	20003269
KO-0380010	38	1	NB7001	20003273
KO-0380020	38	2	NB7001	20003275
KO-0380030	38	3	NB7001	20003281
KO-0380040	38	4	NB7001	20003286
KO-0380050	38	5	NB7001	20003290
KO-0390020	39	2	NB7001	20003294
KO-0390025	39	2.5	NB7001	20003296
KO-0390030	39	3	NB7001	20003299
KO-0390040	39	4	NB7001	20003302
KO-0392030	39.2	3	NB7001	20003304
KO-0392057	39.2	5.7	NB7001	20003305
KO-0393426	39.34	2.62	NB7001	20003306
KO-0394517	39.45	1.78	NB7001	20003312
KO-0396935	39.69	3.53	NB7001	20003314
KO-0400015	40	1.5	NB7001	20003320
KO-0400020	40	2	NB7001	20003322
KO-0400025	40	2.5	NB7001	20003327
KO-0400030	40	3	NB7001	20003330
KO-0400040	40	4	NB7001	20003333
KO-0400050	40	5	NB7001	20003336
KO-0406553	40.65	5.33	NB7001	20003343
KO-0408735	40.87	3.53	NB7001	20003346
KO-0409526	40.95	2.62	NB7001	20003350
KO-0410017	41	1.78	NB7001	20003353
KO-0410020	41	2	NB7001	20003357
KO-0410030	41	3	NB7001	20003361
KO-0410040	41	4	NB7001	20003364
KO-0412057	41.2	5.7	NB7001	20003367
KO-0412835	41.28	3.53	NB7001	20003368
KO-0420010	42	1	NB7001	20003371
KO-0420020	42	2	NB7001	20003374

	d1	d2	MATERIAL	Kastaş CODE
KO-0420030	42	3	NB7001	20003378
KO-0420040	42	4	NB7001	20003381
KO-0420050	42	5	NB7001	20003383
KO-0422030	42.2	3	NB7001	20003385
KO-0425226	42.52	2.62	NB7001	20003387
KO-0428635	42.86	3.53	NB7001	20003392
KO-0430020	43	2	NB7001	20003397
KO-0430025	43	2.5	NB7001	20003400
KO-0430030	43	3	NB7001	20003402
KO-0430040	43	4	NB7001	20003406
KO-0438253	43.82	5.33	NB7001	20003409
KO-0440020	44	2	NB7001	20003412
KO-0440025	44	2.5	NB7001	20003414
KO-0440030	44	3	NB7001	20003417
KO-0440040	44	4	NB7001	20003421
KO-0440435	44.04	3.53	NB7001	20003424
KO-0441226	44.12	2.62	NB7001	20003428
KO-0441717	44.17	1.78	NB7001	20003433
KO-0444535	44.45	3.53	NB7001	20003442
KO-0445020	44.5	2	NB7001	20003445
KO-0450020	45	2	NB7001	20003447
KO-0450025	45	2.5	NB7001	20003449
KO-0450030	45	3	NB7001	20003451
KO-0450040	45	4	NB7001	20003455
KO-0450050	45	5	NB7001	20003458
KO-0452057	45.2	5.7	NB7001	20003462
KO-0456926	45.69	2.62	NB7001	20003464
KO-0460020	46	2	NB7001	20003470
KO-0460030	46	3	NB7001	20003474
KO-0460435	46.04	3.53	NB7001	20003479
KO-0470020	47	2	NB7001	20003483
KO-0470030	47	3	NB7001	20003486
KO-0470040	47	4	NB7001	20003490
KO-0470053	47	5.33	NB7001	20003493
KO-0472235	47.22	3.53	NB7001	20003496
KO-0472926	47.29	2.62	NB7001	20003499
KO-0473717	47.37	1.78	NB7001	20003503

	d1	d2	MATERIAL	Kastaş CODE
KO-0476335	47.63	3.53	NB7001	20003505
KO-0480020	48	2	NB7001	20003509
KO-0480030	48	3	NB7001	20003512
KO-0480040	48	4	NB7001	20003515
KO-0480050	48	5	NB7001	20003518
KO-0489026	48.9	2.62	NB7001	20003519
KO-0490015	49	1.5	NB7001	20003523
KO-0490030	49	3	NB7001	20003525
KO-0492057	49.2	5.7	NB7001	20003530
KO-0492135	49.21	3.53	NB7001	20003533
KO-0495030	49.5	3	NB7001	20003536
KO-0500010	50	1	NB7001	20003537
KO-0500015	50	1.5	NB7001	20003538
KO-0500020	50	2	NB7001	20003540
KO-0500025	50	2.5	NB7001	20003542
KO-0500030	50	3	NB7001	20003544
KO-0500040	50	4	NB7001	20003547
KO-0500050	50	5	NB7001	20003551
KO-0500060	50	6	NB7001	20003554
KO-0501653	50.16	5.33	NB7001	20003556
KO-0504035	50.4	3.53	NB7001	20003560
KO-0504726	50.47	2.62	NB7001	20003563
KO-0505217	50.52	1.78	NB7001	20003566
KO-0508035	50.8	3.53	NB7001	20003568
KO-0510025	51	2.5	NB7001	20003570
KO-0510030	51	3	NB7001	20003571
KO-0520020	52	2	NB7001	20003575
KO-0520030	52	3	NB7001	20003577
KO-0520040	52	4	NB7001	20003581
KO-0520050	52	5	NB7001	20003584
KO-0520726	52.07	2.62	NB7001	20003586
KO-0523935	52.39	3.53	NB7001	20003589
KO-0530020	53	2	NB7001	20003593
KO-0530030	53	3	NB7001	20003596
KO-0530050	53	5	NB7001	20003599
KO-0533453	53.34	5.33	NB7001	20003601
KO-0535735	53.57	3.53	NB7001	20003606

	d1	d2	MATERIAL	Kastaş CODE
KO-0536526	53.65	2.62	NB7001	20003609
KO-0536717	53.67	1.78	NB7001	20003612
KO-0540025	54	2.5	NB7001	20003616
KO-0540030	54	3	NB7001	20003618
KO-0540040	54	4	NB7001	20003622
KO-0542057	54.2	5.7	NB7001	20003627
KO-0543057	54.3	5.7	NB7001	20003629
KO-0545030	54.5	3	NB7001	20003631
KO-0550020	55	2	NB7001	20003633
KO-0550025	55	2.5	NB7001	20003636
KO-0550030	55	3	NB7001	20003640
KO-0550040	55	4	NB7001	20003644
KO-0550050	55	5	NB7001	20003646
KO-0552030	55.2	3	NB7001	20003655
KO-0552526	55.25	2.62	NB7001	20003657
KO-0555635	55.56	3.53	NB7001	20003661
KO-0560020	56	2	NB7001	20003665
KO-0560030	56	3	NB7001	20003670
KO-0560040	56	4	NB7001	20003673
KO-0565253	56.52	5.33	NB7001	20003675
KO-0567435	56.74	3.53	NB7001	20003679
KO-0568226	56.82	2.62	NB7001	20003682
KO-0568717	56.87	1.78	NB7001	20003685
KO-0570020	57	2	NB7001	20003687
KO-0570025	57	2.5	NB7001	20003689
KO-0570030	57	3	NB7001	20003691
KO-0570040	57	4	NB7001	20003694
KO-0571535	57.15	3.53	NB7001	20003697
KO-0580020	58	2	NB7001	20003703
KO-0580030	58	3	NB7001	20003706
KO-0580040	58	4	NB7001	20003709
KO-0580069	58	6.99	NB7001	20003711
KO-0584226	58.42	2.62	NB7001	20003713
KO-0587435	58.74	3.53	NB7001	20003717
KO-0590030	59	3	NB7001	20003720
KO-0592057	59.2	5.7	NB7001	20003724
KO-0593057	59.3	5.7	NB7001	20003726

	d1	d2	MATERIAL	Kastaş CODE
KO-0595030	59.5	3	NB7001	20003729
KO-0597053	59.7	5.33	NB7001	20003730
KO-0599235	59.92	3.53	NB7001	20003734
KO-0600020	60	2	NB7001	20003737
KO-0600025	60	2.5	NB7001	20003739
KO-0600026	60	2.62	NB7001	20003741
KO-0600030	60	3	NB7001	20003745
KO-0600040	60	4	NB7001	20003749
KO-0600050	60	5	NB7001	20003752
KO-0600417	60.04	1.78	NB7001	20003759
KO-0603335	60.33	3.53	NB7001	20003761
KO-0612057	61.2	5.7	NB7001	20003766
KO-0616024	61.6	2.4	NB7001	20003767
KO-0616026	61.6	2.62	NB7001	20003768
KO-0619035	61.9	3.53	NB7001	20003771
KO-0620020	62	2	NB7001	20003775
KO-0620025	62	2.5	NB7001	20003777
KO-0620030	62	3	NB7001	20003779
KO-0620040	62	4	NB7001	20003783
KO-0620050	62	5	NB7001	20003786
KO-0628753	62.87	5.33	NB7001	20003787
KO-0630015	63	1.5	NB7001	20003791
KO-0630020	63	2	NB7001	20003793
KO-0630030	63	3	NB7001	20003796
KO-0630040	63	4	NB7001	20003798
KO-0630935	63.09	3.53	NB7001	20003801
KO-0631726	63.17	2.62	NB7001	20003806
KO-0632217	63.22	1.78	NB7001	20003808
KO-0635035	63.5	3.53	NB7001	20003811
KO-0640025	64	2.5	NB7001	20003816
KO-0640030	64	3	NB7001	20003817
KO-0640040	64	4	NB7001	20003820
KO-0643057	64.3	5.7	NB7001	20003823
KO-0645030	64.5	3	NB7001	20003824
KO-0647726	64.77	2.62	NB7001	20003825
KO-0650020	65	2	NB7001	20003831
KO-0650025	65	2.5	NB7001	20003833

	d1	d2	MATERIAL	Kastaş CODE
KO-0650030	65	3	NB7001	20003835
KO-0650040	65	4	NB7001	20003839
KO-0650050	65	5	NB7001	20003841
KO-0651035	65.1	3.53	NB7001	20003845
KO-0660030	66	3	NB7001	20003849
KO-0660040	66	4	NB7001	20003851
KO-0660453	66.04	5.33	NB7001	20003854
KO-0662735	66.27	3.53	NB7001	20003857
KO-0663526	66.35	2.62	NB7001	20003861
KO-0664017	66.4	1.78	NB7001	20003863
KO-0666835	66.68	3.53	NB7001	20003866
KO-0670030	67	3	NB7001	20003871
KO-0670040	67	4	NB7001	20003874
KO-0679526	67.95	2.62	NB7001	20003876
KO-0680020	68	2	NB7001	20003879
KO-0680030	68	3	NB7001	20003883
KO-0680040	68	4	NB7001	20003886
KO-0682635	68.26	3.53	NB7001	20003892
KO-0690030	69	3	NB7001	20003900
KO-0692253	69.22	5.33	NB7001	20003906
KO-0693057	69.3	5.7	NB7001	20003910
KO-0694435	69.44	3.53	NB7001	20003911
KO-0695226	69.52	2.62	NB7001	20003914
KO-0695717	69.57	1.78	NB7001	20003917
KO-0698535	69.85	3.53	NB7001	20003919
KO-0700020	70	2	NB7001	20003922
KO-0700025	70	2.5	NB7001	20003924
KO-0700030	70	3	NB7001	20003926
KO-0700040	70	4	NB7001	20003930
KO-0700050	70	5	NB7001	20003934
KO-0710025	71	2.5	NB7001	20003940
KO-0711226	71.12	2.62	NB7001	20003943
KO-0714435	71.44	3.53	NB7001	20003945
KO-0720020	72	2	NB7001	20003950
KO-0720025	72	2.5	NB7001	20003952
KO-0720030	72	3	NB7001	20003954
KO-0720040	72	4	NB7001	20003958

	d1	d2	MATERIAL	Kastaş CODE
KO-0724053	72.4	5.33	NB7001	20003963
KO-0726235	72.62	3.53	NB7001	20003966
KO-0726926	72.69	2.62	NB7001	20003969
KO-0727617	72.76	1.78	NB7001	20003972
KO-0730030	73	3	NB7001	20003975
KO-0730040	73	4	NB7001	20003978
KO-0730050	73	5	NB7001	20003980
KO-0730335	73.03	3.53	NB7001	20003982
KO-0740020	74	2	NB7001	20003985
KO-0740030	74	3	NB7001	20003987
KO-0742057	74.2	5.7	NB7001	20003994
KO-0743026	74.3	2.62	NB7001	20003996
KO-0745030	74.5	3	NB7001	20003998
KO-0746135	74.61	3.53	NB7001	20003999
KO-0750020	75	2	NB7001	20004005
KO-0750025	75	2.5	NB7001	20004007
KO-0750030	75	3	NB7001	20004009
KO-0750040	75	4	NB7001	20004012
KO-0750050	75	5	NB7001	20004015
KO-0750060	75	6	NB7001	20004017
KO-0755753	75.57	5.33	NB7001	20004021
KO-0758035	75.8	3.53	NB7001	20004025
KO-0758726	75.87	2.62	NB7001	20004029
KO-0759217	75.92	1.78	NB7001	20004033
KO-0760020	76	2	NB7001	20004037
KO-0760030	76	3	NB7001	20004039
KO-0770030	77	3	NB7001	20004046
KO-0775026	77.5	2.62	NB7001	20004050
KO-0780030	78	3	NB7001	20004053
KO-0780040	78	4	NB7001	20004056
KO-0780050	78	5	NB7001	20004058
KO-0787453	78.74	5.33	NB7001	20004059
KO-0789735	78.97	3.53	NB7001	20004062
KO-0790017	79	1.78	NB7001	20004066
KO-0790030	79	3	NB7001	20004068
KO-0790069	79	6.99	NB7001	20004071
KO-0792057	79.2	5.7	NB7001	20004072

	d1	d2	MATERIAL	Kastaş CODE
KO-0795030	79.5	3	NB7001	20004076
KO-0797753	79.77	5.33	NB7001	20004078
KO-0800015	80	1.5	NB7001	20004081
KO-0800020	80	2	NB7001	20004083
KO-0800025	80	2.5	NB7001	20004085
KO-0800030	80	3	NB7001	20004087
KO-0800040	80	4	NB7001	20004090
KO-0800050	80	5	NB7001	20004093
KO-0806026	80.6	2.62	NB7001	20004100
KO-0819253	81.92	5.33	NB7001	20004104
KO-0820030	82	3	NB7001	20004108
KO-0820040	82	4	NB7001	20004110
KO-0821435	82.14	3.53	NB7001	20004114
KO-0822226	82.22	2.62	NB7001	20004117
KO-0822817	82.28	1.78	NB7001	20004121
KO-0830030	83	3	NB7001	20004126
KO-0840030	84	3	NB7001	20004137
KO-0840040	84	4	NB7001	20004141
KO-0845030	84.5	3	NB7001	20004143
KO-0845226	84.52	2.62	NB7001	20004145
KO-0850020	85	2	NB7001	20004147
KO-0850030	85	3	NB7001	20004150
KO-0850040	85	4	NB7001	20004153
KO-0850050	85	5	NB7001	20004155
KO-0850953	85.09	5.33	NB7001	20004161
KO-0853235	85.32	3.53	NB7001	20004165
KO-0853417	85.34	1.78	NB7001	20004170
KO-0870020	87	2	NB7001	20004175
KO-0870025	87	2.5	NB7001	20004176
KO-0880020	88	2	NB7001	20004181
KO-0880030	88	3	NB7001	20004183
KO-0880040	88	4	NB7001	20004186
KO-0882753	88.27	5.33	NB7001	20004189
KO-0885035	88.5	3.53	NB7001	20004193
KO-0885726	88.57	2.62	NB7001	20004196
KO-0886217	88.62	1.78	NB7001	20004199
KO-0890030	89	3	NB7001	20004201

	d1	d2	MATERIAL	Kastaş CODE
KO-0893057	89.3	5.7	NB7001	20004204
KO-0895030	89.5	3	NB7001	20004207
KO-0896953	89.69	5.33	NB7001	20004210
KO-0900020	90	2	NB7001	20004214
KO-0900025	90	2.5	NB7001	20004216
KO-0900030	90	3	NB7001	20004218
KO-0900040	90	4	NB7001	20004222
KO-0900050	90	5	NB7001	20004225
KO-0914453	91.44	5.33	NB7001	20004233
KO-0916735	91.67	3.53	NB7001	20004236
KO-0917017	91.7	1.78	NB7001	20004239
KO-0920020	92	2	NB7001	20004240
KO-0920030	92	3	NB7001	20004243
KO-0920040	92	4	NB7001	20004246
KO-0920050	92	5	NB7001	20004248
KO-0930030	93	3	NB7001	20004252
KO-0930050	93	5	NB7001	20004256
KO-0940030	94	3	NB7001	20004260
KO-0940040	94	4	NB7001	20004263
KO-0942057	94.2	5.7	NB7001	20004265
KO-0945030	94.5	3	NB7001	20004267
KO-0946253	94.62	5.33	NB7001	20004269
KO-0948435	94.84	3.53	NB7001	20004272
KO-0949326	94.93	2.62	NB7001	20004278
KO-0949717	94.97	1.78	NB7001	20004279
KO-0950020	95	2	NB7001	20004282
KO-0950030	95	3	NB7001	20004285
KO-0950040	95	4	NB7001	20004288
KO-0950050	95	5	NB7001	20004290
KO-0950060	95	6	NB7001	20004293
KO-0960030	96	3	NB7001	20004297
KO-0960040	96	4	NB7001	20004299
KO-0978053	97.8	5.33	NB7001	20004310
KO-0980020	98	2	NB7001	20004311
KO-0980030	98	3	NB7001	20004313
KO-0980040	98	4	NB7001	20004315
KO-0980235	98.02	3.53	NB7001	20004319

	d1	d2	MATERIAL	Kastaş CODE
KO-0980517	98.05	1.78	NB7001	20004323
KO-0990069	99	6.99	NB7001	20004327
KO-0993057	99.3	5.7	NB7001	20004333
KO-0995030	99.5	3	NB7001	20004334
KO-1000015	100	1.5	NB7001	20004336
KO-1000020	100	2	NB7001	20004338
KO-1000030	100	3	NB7001	20004344
KO-1000040	100	4	NB7001	20004349
KO-1000050	100	5	NB7001	20004351
KO-1009753	100.97	5.33	NB7001	20004357
KO-1012035	101.2	3.53	NB7001	20004362
KO-1012726	101.27	2.62	NB7001	20004365
KO-1013417	101.34	1.78	NB7001	20004368
KO-1020030	102	3	NB7001	20004371
KO-1020040	102	4	NB7001	20004375
KO-1030050	103	5	NB7001	20004385
KO-1040030	104	3	NB7001	20004387
KO-1040040	104	4	NB7001	20004389
KO-1041453	104.14	5.33	NB7001	20004391
KO-1041469	104.14	6.99	NB7001	20004394
KO-1042057	104.2	5.7	NB7001	20004396
KO-1043735	104.37	3.53	NB7001	20004398
KO-1044017	104.4	1.78	NB7001	20004401
KO-1045030	104.5	3	NB7001	20004402
KO-1050020	105	2	NB7001	20004409
KO-1050030	105	3	NB7001	20004413
KO-1050040	105	4	NB7001	20004416
KO-1050050	105	5	NB7001	20004419
KO-1060030	106	3	NB7001	20004424
KO-1060040	106	4	NB7001	20004426
KO-1073253	107.32	5.33	NB7001	20004429
KO-1075435	107.54	3.53	NB7001	20004432
KO-1076326	107.63	2.62	NB7001	20004435
KO-1080020	108	2	NB7001	20004439
KO-1080030	108	3	NB7001	20004440
KO-1080040	108	4	NB7001	20004442
KO-1093057	109.3	5.7	NB7001	20004447

	d1	d2	MATERIAL	Kastaş CODE
KO-1095030	109.5	3	NB7001	20004449
KO-1095453	109.54	5.33	NB7001	20004451
KO-1100020	110	2	NB7001	20004453
KO-1100030	110	3	NB7001	20004456
KO-1100040	110	4	NB7001	20004459
KO-1100050	110	5	NB7001	20004462
KO-1104953	110.49	5.33	NB7001	20004469
KO-1107235	110.72	3.53	NB7001	20004472
KO-1120030	112	3	NB7001	20004479
KO-1120040	112	4	NB7001	20004481
KO-1136753	113.67	5.33	NB7001	20004490
KO-1136769	113.67	6.99	NB7001	20004494
KO-1139035	113.9	3.53	NB7001	20004496
KO-1139826	113.98	2.62	NB7001	20004500
KO-1140017	114	1.78	NB7001	20004505
KO-1143057	114.3	5.7	NB7001	20004513
KO-1145030	114.5	3	NB7001	20004514
KO-1145040	114.5	4	NB7001	20004516
KO-1150025	115	2.5	NB7001	20004521
KO-1150030	115	3	NB7001	20004523
KO-1150040	115	4	NB7001	20004525
KO-1150050	115	5	NB7001	20004528
KO-1150060	115	6	NB7001	20004531
KO-1168453	116.84	5.33	NB7001	20004537
KO-1168469	116.84	6.99	NB7001	20004541
KO-1170040	117	4	NB7001	20004545
KO-1170735	117.07	3.53	NB7001	20004548
KO-1174853	117.48	5.33	NB7001	20004551
KO-1180030	118	3	NB7001	20004557
KO-1180040	118	4	NB7001	20004559
KO-1193057	119.3	5.7	NB7001	20004566
KO-1195030	119.5	3	NB7001	20004570
KO-1200030	120	3	NB7001	20004575
KO-1200040	120	4	NB7001	20004578
KO-1200050	120	5	NB7001	20004580
KO-1200069	120	6.99	NB7001	20004584
KO-1200253	120.02	5.33	NB7001	20004585

	d1	d2	MATERIAL	Kastaş CODE
KO-1202535	120.25	3.53	NB7001	20004590
KO-1203226	120.32	2.62	NB7001	20004593
KO-1204017	120.4	1.78	NB7001	20004598
KO-1220030	122	3	NB7001	20004605
KO-1220040	122	4	NB7001	20004606
KO-1231953	123.19	5.33	NB7001	20004607
KO-1232069	123.2	6.99	NB7001	20004610
KO-1234035	123.4	3.53	NB7001	20004612
KO-1238053	123.8	5.33	NB7001	20004615
KO-1239026	123.9	2.62	NB7001	20004618
KO-1240030	124	3	NB7001	20004619
KO-1243057	124.3	5.7	NB7001	20004624
KO-1245030	124.5	3	NB7001	20004626
KO-1250020	125	2	NB7001	20004627
KO-1250030	125	3	NB7001	20004630
KO-1250040	125	4	NB7001	20004633
KO-1250050	125	5	NB7001	20004635
KO-1250060	125	6	NB7001	20004638
KO-1260040	126	4	NB7001	20004642
KO-1263769	126.37	6.99	NB7001	20004646
KO-1265753	126.57	5.33	NB7001	20004649
KO-1266035	126.6	3.53	NB7001	20004650
KO-1266726	126.67	2.62	NB7001	20004654
KO-1280030	128	3	NB7001	20004663
KO-1280040	128	4	NB7001	20004665
KO-1293057	129.3	5.7	NB7001	20004668
KO-1295453	129.54	5.33	NB7001	20004670
KO-1295469	129.54	6.99	NB7001	20004673
KO-1297735	129.77	3.53	NB7001	20004677
KO-1300030	130	3	NB7001	20004684
KO-1300040	130	4	NB7001	20004687
KO-1300050	130	5	NB7001	20004690
KO-1300060	130	6	NB7001	20004693
KO-1302053	130.2	5.33	NB7001	20004697
KO-1320030	132	3	NB7001	20004701
KO-1320040	132	4	NB7001	20004703
KO-1327269	132.72	6.99	NB7001	20004708

	d1	d2	MATERIAL	Kastaş CODE
KO-1329435	132.94	3.53	NB7001	20004711
KO-1330226	133.02	2.62	NB7001	20004715
KO-1333553	133.35	5.33	NB7001	20004717
KO-1340030	134	3	NB7001	20004719
KO-1343057	134.3	5.7	NB7001	20004725
KO-1345030	134.5	3	NB7001	20004728
KO-1350030	135	3	NB7001	20004729
KO-1350040	135	4	NB7001	20004731
KO-1350050	135	5	NB7001	20004733
KO-1350060	135	6	NB7001	20004736
KO-1359053	135.9	5.33	NB7001	20004739
KO-1359069	135.9	6.99	NB7001	20004741
KO-1361035	136.1	3.53	NB7001	20004744
KO-1390753	139.07	5.33	NB7001	20004752
KO-1390769	139.07	6.99	NB7001	20004756
KO-1393035	139.3	3.53	NB7001	20004760
KO-1393057	139.3	5.7	NB7001	20004763
KO-1393826	139.38	2.62	NB7001	20004764
KO-1395030	139.5	3	NB7001	20004765
KO-1400020	140	2	NB7001	20004767
KO-1400030	140	3	NB7001	20004768
KO-1400040	140	4	NB7001	20004771
KO-1400050	140	5	NB7001	20004773
KO-1400060	140	6	NB7001	20004775
KO-1400069	140	6.99	NB7001	20004776
KO-1420040	142	4	NB7001	20004777
KO-1422453	142.24	5.33	NB7001	20004781
KO-1422469	142.24	6.99	NB7001	20004783
KO-1424735	142.47	3.53	NB7001	20004785
KO-1440030	144	3	NB7001	20004793
KO-1442057	144.2	5.7	NB7001	20004796
KO-1450030	145	3	NB7001	20004801
KO-1450040	145	4	NB7001	20004803
KO-1450050	145	5	NB7001	20004805
KO-1454253	145.42	5.33	NB7001	20004808
KO-1454269	145.42	6.99	NB7001	20004811
KO-1456535	145.65	3.53	NB7001	20004815

	d1	d2	MATERIAL	Kastaş CODE
KO-1457226	145.72	2.62	NB7001	20004817
KO-1460553	146.05	5.33	NB7001	20004822
KO-1486053	148.6	5.33	NB7001	20004831
KO-1486069	148.6	6.99	NB7001	20004835
KO-1488035	148.8	3.53	NB7001	20004837
KO-1492057	149.2	5.7	NB7001	20004840
KO-1493057	149.3	5.7	NB7001	20004842
KO-1500030	150	3	NB7001	20004849
KO-1500040	150	4	NB7001	20004852
KO-1500050	150	5	NB7001	20004855
KO-1500060	150	6	NB7001	20004859
KO-1517753	151.77	5.33	NB7001	20004863
KO-1517769	151.77	6.99	NB7001	20004866
KO-1519935	151.99	3.53	NB7001	20004870
KO-1520030	152	3	NB7001	20004873
KO-1520050	152	5	NB7001	20004876
KO-1520726	152.07	2.62	NB7001	20004878
KO-1540030	154	3	NB7001	20004881
KO-1543057	154.3	5.7	NB7001	20004884
KO-1550030	155	3	NB7001	20004888
KO-1550040	155	4	NB7001	20004890
KO-1550050	155	5	NB7001	20004892
KO-1550053	155	5.33	NB7001	20004893
KO-1550060	155	6	NB7001	20004896
KO-1556069	155.6	6.99	NB7001	20004897
KO-1581253	158.12	5.33	NB7001	20004900
KO-1581269	158.12	6.99	NB7001	20004903
KO-1583435	158.34	3.53	NB7001	20004906
KO-1584126	158.41	2.62	NB7001	20004909
KO-1593057	159.3	5.7	NB7001	20004914
KO-1595069	159.5	6.99	NB7001	20004915
KO-1600020	160	2	NB7001	20004918
KO-1600030	160	3	NB7001	20004921
KO-1600040	160	4	NB7001	20004924
KO-1600050	160	5	NB7001	20004926
KO-1600060	160	6	NB7001	20004930
KO-1613053	161.3	5.33	NB7001	20004934

	d1	d2	MATERIAL	Kastaş CODE
KO-1619069	161.9	6.99	NB7001	20004936
KO-1620030	162	3	NB7001	20004938
KO-1643057	164.3	5.7	NB7001	20004943
KO-1644753	164.47	5.33	NB7001	20004945
KO-1644769	164.47	6.99	NB7001	20004948
KO-1645030	164.5	3	NB7001	20004951
KO-1647035	164.7	3.53	NB7001	20004952
KO-1647826	164.78	2.62	NB7001	20004956
KO-1650030	165	3	NB7001	20004958
KO-1650040	165	4	NB7001	20004962
KO-1650050	165	5	NB7001	20004964
KO-1667069	166.7	6.99	NB7001	20004968
KO-1683069	168.3	6.99	NB7001	20004972
KO-1693057	169.3	5.7	NB7001	20004980
KO-1700030	170	3	NB7001	20004982
KO-1700040	170	4	NB7001	20004986
KO-1700050	170	5	NB7001	20004988
KO-1700060	170	6	NB7001	20004991
KO-1708253	170.82	5.33	NB7001	20004992
KO-1708269	170.82	6.99	NB7001	20004995
KO-1710535	171.05	3.53	NB7001	20004999
KO-1711326	171.13	2.62	NB7001	20005003
KO-1720040	172	4	NB7001	20005005
KO-1743057	174.3	5.7	NB7001	20005010
KO-1750030	175	3	NB7001	20005014
KO-1750050	175	5	NB7001	20005016
KO-1750060	175	6	NB7001	20005020
KO-1771753	177.17	5.33	NB7001	20005024
KO-1771769	177.17	6.99	NB7001	20005027
KO-1773935	177.39	3.53	NB7001	20005030
KO-1774726	177.47	2.62	NB7001	20005032
KO-1793057	179.3	5.7	NB7001	20005039
KO-1800030	180	3	NB7001	20005041
KO-1800040	180	4	NB7001	20005043
KO-1800050	180	5	NB7001	20005044
KO-1835253	183.52	5.33	NB7001	20005049
KO-1835269	183.52	6.99	NB7001	20005053

	d1	d2	MATERIAL	Kastaş CODE
KO-1837535	183.75	3.53	NB7001	20005055
KO-1838326	183.83	2.62	NB7001	20005058
KO-1843057	184.3	5.7	NB7001	20005061
KO-1850030	185	3	NB7001	20005064
KO-1850040	185	4	NB7001	20005065
KO-1850050	185	5	NB7001	20005067
KO-1850060	185	6	NB7001	20005070
KO-1873069	187.3	6.99	NB7001	20005078
KO-1893057	189.3	5.7	NB7001	20005088
KO-1898753	189.87	5.33	NB7001	20005091
KO-1898769	189.87	6.99	NB7001	20005094
KO-1900030	190	3	NB7001	20005098
KO-1900040	190	4	NB7001	20005100
KO-1900050	190	5	NB7001	20005102
KO-1900060	190	6	NB7001	20005105
KO-1901035	190.1	3.53	NB7001	20005106
KO-1901826	190.18	2.62	NB7001	20005109
KO-1920040	192	4	NB7001	20005110
KO-1937069	193.7	6.99	NB7001	20005111
KO-1943057	194.3	5.7	NB7001	20005116
KO-1950030	195	3	NB7001	20005118
KO-1950050	195	5	NB7001	20005120
KO-1962253	196.22	5.33	NB7001	20005124
KO-1962269	196.22	6.99	NB7001	20005127
KO-1964435	196.44	3.53	NB7001	20005130
KO-1965326	196.53	2.62	NB7001	20005132
KO-1992057	199.2	5.7	NB7001	20005136
KO-1995030	199.5	3	NB7001	20005139
KO-1998069	199.8	6.99	NB7001	20005140
KO-2000030	200	3	NB7001	20005142
KO-2000040	200	4	NB7001	20005145
KO-2000050	200	5	NB7001	20005147
KO-2000060	200	6	NB7001	20005150
KO-2025753	202.57	5.33	NB7001	20005152
KO-2025769	202.57	6.99	NB7001	20005154
KO-2027935	202.79	3.53	NB7001	20005156
KO-2043057	204.3	5.7	NB7001	20005162

	d1	d2	MATERIAL	Kastaş CODE
KO-2050050	205	5	NB7001	20005164
KO-2089253	208.92	5.33	NB7001	20005169
KO-2089269	208.92	6.99	NB7001	20005173
KO-2091435	209.14	3.53	NB7001	20005177
KO-2092057	209.2	5.7	NB7001	20005179
KO-2100030	210	3	NB7001	20005185
KO-2100040	210	4	NB7001	20005188
KO-2100050	210	5	NB7001	20005190
KO-2152753	215.27	5.33	NB7001	20005205
KO-2152769	215.27	6.99	NB7001	20005207
KO-2154935	215.49	3.53	NB7001	20005210
KO-2192057	219.2	5.7	NB7001	20005217
KO-2193057	219.3	5.7	NB7001	20005218
KO-2200030	220	3	NB7001	20005222
KO-2200040	220	4	NB7001	20005224
KO-2200050	220	5	NB7001	20005225
KO-2216253	221.62	5.33	NB7001	20005231
KO-2216269	221.62	6.99	NB7001	20005233
KO-2218435	221.84	3.53	NB7001	20005236
KO-2250050	225	5	NB7001	20005245
KO-2279753	227.97	5.33	NB7001	20005250
KO-2279769	227.97	6.99	NB7001	20005254
KO-2281935	228.19	3.53	NB7001	20005259
KO-2293057	229.3	5.7	NB7001	20005264
KO-2300030	230	3	NB7001	20005266
KO-2300040	230	4	NB7001	20005268
KO-2343253	234.32	5.33	NB7001	20005279
KO-2343269	234.32	6.99	NB7001	20005282
KO-2345435	234.54	3.53	NB7001	20005284
KO-2346326	234.63	2.62	NB7001	20005286
KO-2350050	235	5	NB7001	20005289
KO-2393057	239.3	5.7	NB7001	20005299
KO-2400040	240	4	NB7001	20005307
KO-2400050	240	5	NB7001	20005309
KO-2400060	240	6	NB7001	20005312
KO-2406769	240.67	6.99	NB7001	20005315
KO-2408935	240.89	3.53	NB7001	20005318

	d1	d2	MATERIAL	Kastaş CODE
KO-2470069	247	6.99	NB7001	20005332
KO-2470253	247.02	5.33	NB7001	20005334
KO-2472435	247.24	3.53	NB7001	20005337
KO-2500040	250	4	NB7001	20005344
KO-2500050	250	5	NB7001	20005345
KO-2535753	253.57	5.33	NB7001	20005350
KO-2535769	253.57	6.99	NB7001	20005352
KO-2535935	253.59	3.53	NB7001	20005354
KO-2592057	259.2	5.7	NB7001	20005360
KO-2597069	259.7	6.99	NB7001	20005362
KO-2600040	260	4	NB7001	20005366
KO-2600050	260	5	NB7001	20005367
KO-2660753	266.07	5.33	NB7001	20005375
KO-2660769	266.07	6.99	NB7001	20005378
KO-2663035	266.3	3.53	NB7001	20005380
KO-2693057	269.3	5.7	NB7001	20005382
KO-2700050	270	5	NB7001	20005387
KO-2724069	272.4	6.99	NB7001	20005393
KO-2750050	275	5	NB7001	20005397
KO-2787753	278.77	5.33	NB7001	20005400
KO-2787769	278.77	6.99	NB7001	20005403
KO-2790035	279	3.53	NB7001	20005406
KO-2792057	279.2	5.7	NB7001	20005407
KO-2851069	285.1	6.99	NB7001	20005416
KO-2893057	289.3	5.7	NB7001	20005421
KO-2900040	290	4	NB7001	20005423
KO-2900050	290	5	NB7001	20005424
KO-2914753	291.47	5.33	NB7001	20005428
KO-2914769	291.47	6.99	NB7001	20005430
KO-2917035	291.7	3.53	NB7001	20005432
KO-2970040	297	4	NB7001	20005436
KO-2978869	297.88	6.99	NB7001	20005439
KO-2993057	299.3	5.7	NB7001	20005441
KO-3000050	300	5	NB7001	20005446
KO-3041753	304.17	5.33	NB7001	20005449
KO-3041769	304.17	6.99	NB7001	20005451
KO-3043935	304.39	3.53	NB7001	20005454

	d1	d2	MATERIAL	Kastaş CODE
KO-3100040	310	4	NB7001	20005459
KO-3105069	310.5	6.99	NB7001	20005463
KO-3168769	316.87	6.99	NB7001	20005471
KO-3232069	323.2	6.99	NB7001	20005482
KO-3295753	329.57	5.33	NB7001	20005487
KO-3295769	329.57	6.99	NB7001	20005489
KO-3298035	329.8	3.53	NB7001	20005491
KO-3300050	330	5	NB7001	20005493
KO-3359069	335.9	6.99	NB7001	20005500
KO-3393057	339.3	5.7	NB7001	20005502
KO-3400050	340	5	NB7001	20005505
KO-3422769	342.27	6.99	NB7001	20005508
KO-3450050	345	5	NB7001	20005512
KO-3549069	354.9	6.99	NB7001	20005521
KO-3549753	354.97	5.33	NB7001	20005523
KO-3600050	360	5	NB7001	20005531
KO-3676769	367.67	6.99	NB7001	20005538
KO-3750050	375	5	NB7001	20005549
KO-3793057	379.3	5.7	NB7001	20005553
KO-3800050	380	5	NB7001	20005559
KO-3803753	380.37	5.33	NB7001	20005561
KO-3803769	380.37	6.99	NB7001	20005564
KO-3805935	380.59	3.53	NB7001	20005567
KO-3930769	393.07	6.99	NB7001	20005577
KO-3993057	399.3	5.7	NB7001	20005581
KO-4052635	405.26	3.53	NB7001	20005589
KO-4052653	405.26	5.33	NB7001	20005590
KO-4052669	405.26	6.99	NB7001	20005592
KO-4179669	417.96	6.99	NB7001	20005604
KO-4306669	430.66	6.99	NB7001	20005614
KO-4433669	443.36	6.99	NB7001	20005622
KO-4560635	456.06	3.53	NB7001	20005626
KO-4560669	456.06	6.99	NB7001	20005628
KO-4687669	468.76	6.99	NB7001	20005637
KO-4814669	481.46	6.99	NB7001	20005655
KO-4941669	494.16	6.99	NB7001	20005663
KO-5068669	506.86	6.99	NB7001	20005672

	d1	d2	MATERIAL	Kastaş CODE
KO-5322669	532.26	6.99	NB7001	20005685
KO-5576669	557.66	6.99	NB7001	20005698
KO-5826869	582.68	6.99	NB7001	20005711
KO-6080869	608.08	6.99	NB7001	20005721
KO-6334869	633.48	6.99	NB7001	20005731
KO-6588869	658.88	6.99	NB7001	20005741

Алматы (7273)495-231
Ангарск (3955)60-70-56
Архангельск (8182)63-90-72
Астрахань (8512)99-46-04
Барнаул (3852)73-04-60
Белгород (4722)40-23-64
Благовещенск (4162)22-76-07
Брянск (4832)59-03-52
Владивосток (423)249-28-31
Владикавказ (8672)28-90-48
Владимир (4922)49-43-18
Волгоград (844)278-03-48
Вологда (8172)26-41-59
Воронеж (473)204-51-73
Екатеринбург (343)384-55-89

Иваново (4932)77-34-06
Ижевск (3412)26-03-58
Иркутск (395)279-98-46
Казань (843)206-01-48
Калининград (4012)72-03-81
Калуга (4842)92-23-67
Кемерово (3842)65-04-62
Киров (8332)68-02-04
Коломна (4966)23-41-49
Кострома (4942)77-07-48
Краснодар (861)203-40-90
Красноярск (391)204-63-61
Курск (4712)77-13-04
Курган (3522)50-90-47
Липецк (4742)52-20-81

Магнитогорск (3519)55-03-13
Москва (495)268-04-70
Мурманск (8152)59-64-93
Набережные Челны (8552)20-53-41
Нижний Новгород (831)429-08-12
Новокузнецк (3843)20-46-81
Ноябрьск (3496)41-32-12
Новосибирск (383)227-86-73
Омск (3812)21-46-40
Орел (4862)44-53-42
Оренбург (3532)37-68-04
Пенза (8412)22-31-16
Петрозаводск (8142)55-98-37
Псков (8112)59-10-37
Пермь (342)205-81-47

Ростов-на-Дону (863)308-18-15
Рязань (4912)46-61-64
Самара (846)206-03-16
Санкт-Петербург (812)309-46-40
Саратов (845)249-38-78
Севастополь (8692)22-31-93
Саранск (8342)22-96-24
Симферополь (3652)67-13-56
Смоленск (4812)29-41-54
Сочи (862)225-72-31
Ставрополь (8652)20-65-13
Сургут (3462)77-98-35
Сыктывкар (8212)25-95-17
Тамбов (4752)50-40-97
Тверь (4822)63-31-35

Тольятти (8482)63-91-07
Томск (3822)98-41-53
Тула (4872)33-79-87
Тюмень (3452)66-21-18
Ульяновск (8422)24-23-59
Улан-Удэ (3012)59-97-51
Уфа (347)229-48-12
Хабаровск (4212)92-98-04
Чебоксары (8352)28-53-07
Челябинск (351)202-03-61
Череповец (8202)49-02-64
Чита (3022)38-34-83
Якутск (4112)23-90-97
Ярославль (4852)69-52-93

Россия +7(495)268-04-70

Казахстан +7(7172)727-132

Киргизия +996(312)96-26-47

<https://kastas.nt-rt.ru/> || ksi@nt-rt.ru