

Алматы (7273)495-231
 Ангарск (3955)60-70-56
 Архангельск (8182)63-90-72
 Астрахань (8512)99-46-04
 Барнаул (3852)73-04-60
 Белгород (4722)40-23-64
 Благовещенск (4162)22-76-07
 Брянск (4832)59-03-52
 Владивосток (423)249-28-31
 Владикавказ (8672)28-90-48
 Владимир (4922)49-43-18
 Волгоград (844)278-03-48
 Вологда (8172)26-41-59
 Воронеж (473)204-51-73
 Екатеринбург (343)384-55-89

Иваново (4932)77-34-06
 Ижевск (3412)26-03-58
 Иркутск (395)279-98-46
 Казань (843)206-01-48
 Калининград (4012)72-03-81
 Калуга (4842)92-23-67
 Кемерово (3842)65-04-62
 Киров (8332)68-02-04
 Коломна (4966)23-41-49
 Кострома (4942)77-07-48
 Краснодар (861)203-40-90
 Красноярск (391)204-63-61
 Курск (4712)77-13-04
 Курган (3522)50-90-47
 Липецк (4742)52-20-81

Магнитогорск (3519)55-03-13
 Москва (495)268-04-70
 Ижевск (3412)26-03-58
 Мурманск (8152)59-64-93
 Набережные Челны (8552)20-53-41
 Нижний Новгород (831)429-08-12
 Новокузнецк (3843)20-46-81
 Ноябрьск (3496)41-32-12
 Новосибирск (383)227-86-73
 Омск (3812)21-46-40
 Орел (4862)44-53-42
 Оренбург (3532)37-68-04
 Пенза (8412)22-31-16
 Петрозаводск (8142)55-98-37
 Псков (8112)59-10-37
 Пермь (342)205-81-47

Ростов-на-Дону (863)308-18-15
 Рязань (4912)46-61-64
 Самара (846)206-03-16
 Санкт-Петербург (812)309-46-40
 Саратов (845)249-38-78
 Севастополь (8692)22-31-93
 Саранск (8342)22-96-24
 Симферополь (3652)67-13-56
 Смоленск (4812)29-41-54
 Сочи (862)225-72-31
 Ставрополь (8652)20-65-13
 Сургут (3462)77-98-35
 Сыктывкар (8212)25-95-17
 Тамбов (4752)50-40-97
 Тверь (4822)63-31-35

Тольятти (8482)63-91-07
 Томск (3822)98-41-53
 Тула (4872)33-79-87
 Тюмень (3452)66-21-18
 Ульяновск (8422)24-23-59
 Улан-Удэ (3012)59-97-51
 Уфа (347)229-48-12
 Хабаровск (4212)92-98-04
 Чебоксары (8352)28-53-07
 Челябинск (351)202-03-61
 Череповец (8202)49-02-64
 Чита (3022)38-34-83
 Якутск (4112)23-90-97
 Ярославль (4852)69-52-93

Россия +7(495)268-04-70

Казахстан +7(7172)727-132

Киргизия +996(312)96-26-47

<https://kastas.nt-rt.ru/> || ksi@nt-rt.ru

K37 - ROD SEAL



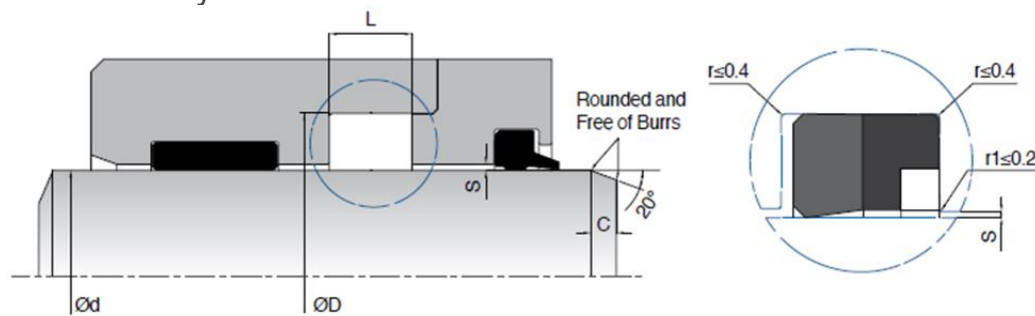
K37 single acting hydraulic rod seal consists of fabric elastomer ring and thermoplastic extrusion ring.

Advantages

- Very good sealing at low pressures with high preloading and elastomer material
- High extrusion resistance due to the back-up ring
- High wear resistance
- Simple groove design

Area of Application

- Standard hydraulic cylinders
- Presses
- Mobile machinery
- Industrial cylinders



	d (f8)	D (H9)	L (+0.2/-0)	C	MATERIAL	Kastaş CODE
K37-006	6	14	6.5	5	NB8001	10018129
K37-012	12	23	7.5	5	NB8001	10018130
K37-015	15	27	7	5	NB8001	10018131
K37-016	16	28	7.5	5	NB8001	10018132
K37-016/1	16	24	7	5	NB8001	10018133
K37-018	18	26	6.4	5	NB8001	10018134
K37-018/1	18	28	6.3	5	NB8001	10018135

	d (f8)	D (H9)	L (+0.2/-0)	C	MATERIAL	Kastaş CODE
K37-018/2	18	30	7.5	5	NB8001	10018136
K37-020	20	30	8	5	NB8001	10018137
K37-020/1	20	27	6	5	NB8001	10018139
K37-020/2	20	28	6.3	5	NB8001	10018140
K37-020/3	20	28	7	5	NB8001	10018141
K37-020/4	20	30	8.5	5	NB8001	10018142
K37-020/5	20	28	5.6	5	NB8001	10018143
K37-022	22	32	7.5	5	NB8001	10018145
K37-022/1	22	29	5	5	NB8001	10018147
K37-022/2	22	30	7	5	NB8001	10018148
K37-022/3	22	32	10	5	NB8001	10018150
K37-022/4	22	34	9.5	5	NB8001	10018151
K37-022/5	22	35	10	5	NB8001	10018152
K37-025	25	38	9.5	5	NB8001	10018153
K37-025/1	25	33	6	5	NB8001	10018154
K37-025/2	25	35	8	5	NB8001	10018156
K37-025/3	25	33	6.4	5	NB8001	10018158
K37-025/4	25	35	9	5	NB8001	10018160
K37-025/5	25	38	10	5	NB8001	10018162
K37-025/6	25.4	38.1	10	5	NB8001	10018163
K37-025/7	25	33	7	5	NB8001	10018164
K37-028	28	38	8	5	NB8001	10018165
K37-028/1	28	41	9.5	5	NB8001	10018167
K37-028/2	28	36	6.4	5	NB8001	10018168
K37-028/3	28	40	9.5	5	NB8001	10018170
K37-028/4	28	41	10	5	NB8001	10018171
K37-028/5	28.57	39.68	9.5	5	NB8001	10018172
K37-030	30	40	10.5	5	NB8001	10018173
K37-030/1	30	38	6.5	5	NB8001	10018175
K37-030/2	30	40	7	5	NB8001	10018177
K37-030/3	30	40	7.5	5	NB8001	10018179
K37-030/4	30	45	9	5	NB8001	10018181
K37-030/5	30	50	14.5	5	NB8001	10018183
K37-031	31.75	47.62	11.7	5	NB8001	10018184
K37-032	32	40	9	5	NB8001	10018185
K37-032/1	32	42	11	5	NB8001	10018186
K37-032/2	32	45	10	5	NB8001	10018188

	d (f8)	D (H9)	L (+0.2/-0)	C	MATERIAL	Kastaş CODE
K37-032/3	32	40	5	5	NB8001	10018189
K37-032/4	32	40	8.5	5	NB8001	10018190
K37-034	34.92	50.8	8.6	5	NB8001	10018191
K37-035	35	45	10.5	5	NB8001	10018192
K37-035/1	35	50	10.5	5	NB8001	10018194
K37-035/2	35	45	10	5	NB8001	10018195
K37-035/3	35	50	11.5	5	NB8001	10018197
K37-035/4	35	43	6	5	NB8001	10018198
K37-036	36	43	6.5	5	NB8001	10018200
K37-036/1	36	44	6.4	5	NB8001	10018201
K37-036/2	36	46	8.5	5	NB8001	10018202
K37-036/3	36	48	12	5	NB8001	10018204
K37-036/4	36	48	9.5	5	NB8001	10018205
K37-038	38	55	10.5	5	NB8001	10018206
K37-038/1	38.1	50.8	10	5	NB8001	10018207
K37-038/2	38.1	53.97	10.5	5	NB8001	10018208
K37-040	40	50	10.5	5	NB8001	10018210
K37-040/1	40	55	10.5	5	NB8001	10018212
K37-040/2	40	50	11	5	NB8001	10018213
K37-040/3	40	48	6.5	5	NB8001	10018215
K37-040/4	40	55	11	5	NB8001	10018217
K37-040/5	40	50	10	5	NB8001	10018219
K37-040/6	40	50	8	5	NB8001	10018221
K37-040/7	40	55	8	5	NB8001	10018223
K37-040/8	40	60	14.5	5	NB8001	10018225
K37-040/9	40	52	12	5	NB8001	10018226
K37-042	42	52	9	5	NB8001	10018227
K37-044	44.5	53.97	7	5	NB8001	10018228
K37-044/1	44.5	53.97	7.5	5	NB8001	10018229
K37-044/2	44.5	60.32	11.7	5	NB8001	10018231
K37-045	45	55	10.5	5	NB8001	10018232
K37-045/1	45	60	10.5	5	NB8001	10018234
K37-045/2	45	55	11	5	NB8001	10018235
K37-045/3	45	55	8	5	NB8001	10018236
K37-045/4	45	55	7.5	5	NB8001	10018238
K37-045/5	45	57	10	5	NB8001	10018240
K37-045/6	45	65	14.5	5	NB8001	10018241

	d (f8)	D (H9)	L (+0.2/-0)	C	MATERIAL	Kastaş CODE
K37-045/7	45	53	8.5	5	NB8001	10018242
K37-045/8	45	60	10	5	NB8001	10018243
K37-050	50	65	10.5	5	NB8001	10018245
K37-050/1	50	62	10	5	NB8001	10018247
K37-050/2	50	60	10.5	5	NB8001	10018249
K37-050/3	50	60	10	5	NB8001	10018251
K37-050/4	50	65	11	5	NB8001	10018253
K37-050/5	50	62	8	5	NB8001	10018254
K37-050/6	50	70	14	5	NB8001	10018255
K37-050/7	50	60	7.5	5	NB8001	10018256
K37-050/8	50	60	8	5	NB8001	10018258
K37-050/9	50	70	14.5	5	NB8001	10018260
K37-050/10	50	63	12	5	NB8001	10018248
K37-054	54	66	9.5	5	NB8001	10018262
K37-055	55	65	10.5	5	NB8001	10018263
K37-055/1	55	65	12	5	NB8001	10018264
K37-055/2	55	65	11	5	NB8001	10018266
K37-055/3	55	75	14	5	NB8001	10018267
K37-055/4	55	65	8	5	NB8001	10018268
K37-055/5	55	70	10.5	5	NB8001	10018269
K37-055/6	55	75	14.5	5	NB8001	10018270
K37-056	56	66	10.5	5	NB8001	10018271
K37-056/1	56	71	10.5	5	NB8001	10018272
K37-056/2	56	76	14.5	5	NB8001	10018274
K37-057	57.15	69.85	10	5	NB8001	10018275
K37-060	60	70	10.5	5	NB8001	10018277
K37-060/1	60	70	12.5	5	NB8001	10018278
K37-060/2	60	80	14	5	NB8001	10018283
K37-060/3	60	75	13	5	NB8001	10018285
K37-060/4	60	75	12.5	5	NB8001	10018286
K37-060/5	60	69	7	5	NB8001	10018288
K37-060/6	60	70	11	5	NB8001	10018289
K37-060/7	60	70	8	5	NB8001	10018290
K37-060/8	60	70	13	5	NB8001	10018292
K37-060/9	60	72	10	5	NB8001	10018293
K37-060/11	60	80	14.5	5	NB8001	10018280
K37-060/12	60	75	8	5	NB8001	10018281

	d (f8)	D (H9)	L (+0.2/-0)	C	MATERIAL	Kastaş CODE
K37-063	63	71	9	5	NB8001	10018295
K37-063/1	63	75	11	5	NB8001	10018296
K37-063/2	63	78	12.5	5	NB8001	10018297
K37-063/3	63	83	14.5	5	NB8001	10018298
K37-063/4	63.5	82.55	14.5	5	NB8001	10018299
K37-063/5	63.5	76.2	8.5	5	NB8001	10018300
K37-063/6	63.5	77.78	11.6	5	NB8001	10018301
K37-065	65	80	12.5	5	NB8001	10018302
K37-065/1	65	75	12.5	5	NB8001	10018303
K37-065/2	65	75	13.5	5	NB8001	10018304
K37-065/3	65	77	9.6	5	NB8001	10018305
K37-065/4	65	80	11.5	5	NB8001	10018306
K37-070	70	80	12.5	5	NB8001	10018307
K37-070/1	70	85	12	5	NB8001	10018309
K37-070/2	70	85	12.5	5	NB8001	10018311
K37-070/3	70	90	14	5	NB8001	10018313
K37-070/4	70	80	8	5	NB8001	10018315
K37-070/5	70	80	13	5	NB8001	10018317
K37-070/6	70	82	10.5	5	NB8001	10018319
K37-070/7	70	84	12.5	5	NB8001	10018320
K37-070/8	70	90	12	5	NB8001	10018321
K37-075	75	85	12.5	5	NB8001	10018322
K37-075/1	75	90	11	5	NB8001	10018323
K37-075/2	75	85	11	5	NB8001	10018324
K37-075/3	75	90	11.5	5	NB8001	10018325
K37-075/4	75	90	12.8	5	NB8001	10018326
K37-075/5	75	95	14.5	5	NB8001	10018327
K37-075/6	75	88	12.5	5	NB8001	10018328
K37-075/7	75	90	8	5	NB8001	10018329
K37-080	80	90	12.5	5	NB8001	10018331
K37-080/1	80	100	12.5	5	NB8001	10018333
K37-080/2	80	100	14	5	NB8001	10018335
K37-080/3	80	95	12	5	NB8001	10018336
K37-080/4	80	93	14.5	5	NB8001	10018338
K37-080/5	80	96	10.5	5	NB8001	10018339
K37-080/6	80	100	12	5	NB8001	10018340
K37-080/7	80	100	14.5	5	NB8001	10018341

	d (f8)	D (H9)	L (+0.2/-0)	C	MATERIAL	Kastaş CODE
K37-080/8	80	95	10	5	NB8001	10018342
K37-085	85	100	12.5	5	NB8001	10018343
K37-085/1	85	95	8	5	NB8001	10018345
K37-085/2	85	100	12	5	NB8001	10018346
K37-085/3	85	105	14.5	5	NB8001	10018347
K37-088	88.9	114.3	19.7	5	NB8001	10018348
K37-090	90	105	12.5	5	NB8001	10018350
K37-090/1	90	110	12.5	5	NB8001	10018352
K37-090/2	90	105	9.5	5	NB8001	10018353
K37-090/4	90	106.2	11	5	NB8001	10018356
K37-090/5	90	110	12	5	NB8001	10018357
K37-095	95	105	11	5	NB8001	10018359
K37-095/1	95	112	12	5	NB8001	10018360
K37-095/2	95	115	14.5	5	NB8001	10018361
K37-095/3	95	110	12	5	NB8001	10018362
K37-095/4	95	115	12	5	NB8001	10018363
K37-095/5	95	107	12.5	5	NB8001	10018364
K37-100	100	115	12.5	7	NB8001	10018365
K37-100/1	100	120	14	7	NB8001	10018367
K37-100/2	100	125	20	7	NB8001	10018369
K37-100/3	100	120	24.5	7	NB8001	10018370
K37-100/4	100	115	11.5	7	NB8001	10018371
K37-100/5	100	120	12	7	NB8001	10018373
K37-100/6	100	120	14.5	7	NB8001	10018374
K37-100/7	100	113	13.5	7	NB8001	10018376
K37-105	105	115	11	7	NB8001	10018377
K37-105/1	105	125	12.5	7	NB8001	10018378
K37-110	110	130	12.5	7	NB8001	10018379
K37-110/1	110	125	12	7	NB8001	10018380
K37-110/2	110	135	15.5	7	NB8001	10018381
K37-115	115	135	16	7	NB8001	10018382
K37-120	120	130	10.5	7	NB8001	10018384
K37-120/1	120	132.7	10	7	NB8001	10018385
K37-120/2	120	135	12.5	7	NB8001	10018386
K37-120/3	120	140	12.5	7	NB8001	10018388
K37-120/4	120	145	18.8	7	NB8001	10018389
K37-125	125	150	14	7	NB8001	10018390

	d (f8)	D (H9)	L (+0.2/-0)	C	MATERIAL	Kastaş CODE
K37-125/1	125	150	14.5	7	NB8001	10018391
K37-130	130	145	13	7	NB8001	10018394
K37-130/1	130	145	15	7	NB8001	10018395
K37-130/2	130	150	16	7	NB8001	10018396
K37-135	135	150	14	7	NB8001	10018397
K37-135/1	135	160	14	7	NB8001	10018398
K37-140	140	160	12	7	NB8001	10018400
K37-140/1	140	155	13	7	NB8001	10018401
K37-140/2	140	160	14.5	7	NB8001	10018403
K37-140/3	140	160	12.5	7	NB8001	10018405
K37-140/4	140	170	22.8	7	NB8001	10018406
K37-140/5	140	150	10.3	7	NB8001	10018407
K37-145	145	157.7	10	7	NB8001	10018408
K37-150	150	170	14	7	NB8001	10018410
K37-150/1	150	170	14.5	7	NB8001	10018411
K37-160	160	175	16	7	NB8001	10018413
K37-160/1	160	180	14.5	7	NB8001	10018414
K37-175	175	200	23	7	NB8001	10018416
K37-180	180	200	14.5	7	NB8001	10018419
K37-180/1	180	210	20.5	7	NB8001	10018420
K37-190	190	210	14.5	7	NB8001	10018421
K37-198	198	208	12	7	NB8001	10018422
K37-200	200	220	14.5	10	NB8001	10018423
K37-210	210	240	22.5	10	NB8001	10018424
K37-220	220	250	20.5	10	NB8001	10018425
K37-230	230	260	20.5	10	NB8001	10018427

Алматы (7273)495-231
Ангарск (3955)60-70-56
Архангельск (8182)63-90-72
Астрахань (8512)99-46-04
Барнаул (3852)73-04-60
Белгород (4722)40-23-64
Благовещенск (4162)22-76-07
Брянск (4832)59-03-52
Владивосток (423)249-28-31
Владикавказ (8672)28-90-48
Владимир (4922)49-43-18
Волгоград (844)278-03-48
Вологда (8172)26-41-59
Воронеж (473)204-51-73
Екатеринбург (343)384-55-89

Иваново (4932)77-34-06
Ижевск (3412)26-03-58
Иркутск (395)279-98-46
Казань (843)206-01-48
Калининград (4012)72-03-81
Калуга (4842)92-23-67
Кемерово (3842)65-04-62
Киров (8332)68-02-04
Коломна (4966)23-41-49
Кострома (4942)77-07-48
Краснодар (861)203-40-90
Красноярск (391)204-63-61
Курск (4712)77-13-04
Курган (3522)50-90-47
Липецк (4742)52-20-81

Магнитогорск (3519)55-03-13
Москва (495)268-04-70
Мурманск (8152)59-64-93
Набережные Челны (8552)20-53-41
Нижний Новгород (831)429-08-12
Новокузнецк (3843)20-46-81
Ноябрьск (3496)41-32-12
Новосибирск (383)227-86-73
Омск (3812)21-46-40
Орел (4862)44-53-42
Оренбург (3532)37-68-04
Пенза (8412)22-31-16
Петрозаводск (8142)55-98-37
Псков (8112)59-10-37
Пермь (342)205-81-47

Ростов-на-Дону (863)308-18-15
Рязань (4912)46-61-64
Самара (846)206-03-16
Санкт-Петербург (812)309-46-40
Саратов (845)249-38-78
Севастополь (8692)22-31-93
Саранск (8342)22-96-24
Симферополь (3652)67-13-56
Смоленск (4812)29-41-54
Сочи (862)225-72-31
Ставрополь (8652)20-65-13
Сургут (3462)77-98-35
Сыктывкар (8212)25-95-17
Тамбов (4752)50-40-97
Тверь (4822)63-31-35

Тольятти (8482)63-91-07
Томск (3822)98-41-53
Тула (4872)33-79-87
Тюмень (3452)66-21-18
Ульяновск (8422)24-23-59
Улан-Удэ (3012)59-97-51
Уфа (347)229-48-12
Хабаровск (4212)92-98-04
Чебоксары (8352)28-53-07
Челябинск (351)202-03-61
Череповец (8202)49-02-64
Чита (3022)38-34-83
Якутск (4112)23-90-97
Ярославль (4852)69-52-93

Россия +7(495)268-04-70

Казахстан +7(7172)727-132

Киргизия +996(312)96-26-47

<https://kastas.nt-rt.ru/> || ksi@nt-rt.ru